



SUYAN VALVE

Plug Valve Series

*Committed to Building an
Aircraft Carrier In The Valve Industry*



JIANGSU SUYAN VALVE MACHINERY CO.,LTD.

Sample NO.: SY-PV-2023

SUYAN VALVE



Chairman: Mr. Zhenghai Han
Delegates in Jiangsu People's Congress
Party Representative in Jiangsu Province
Jiangsu Model Worker
Vice-Chairman of China General Machinery Industry Association
Executive Vice president of Jiangsu Valve Industry Association
President of Yancheng Petroleum Machinery Industry Association
Committee Member of National Valve Standardization Technical Committee

Comprehensive Fluid Control Solutions

CONTENT



DIRECTORY

Company Profile	01
Qualification Certificates	03
Quality Assurance	05
Cast&forged Workshop	07
Data Management	09
Production Equipment	11
Plug Valve	15
Valued Customers	17
Plug Valve	19
Soft Sealing Plug Valve	21
Sleeve Plug Valve	25
Soft Seal Plug Valve	26
3-way 4-way	27
Lubricated Plug Valve	32
Lifting Plug Valve	39

COMPANY PROFILE



The Registered Capital is 310 million RMB,
Total assets of 5 billion RMB,
Covering an area of 80 hectares,
The building area is 320,000 square meters,
Existing staff of 1300 people.



National High-Tech Enterprise,
National Special "Little Giant" Enterprise
National Postdoctoral Research Station,
National Intellectual Property Advantage Enterprise
Provincial Enterprise Technology Center,
Provincial Engineering Research Center
Provincial Graduate Workstation
Jiangsu boutique Enterprise
Qualified Supplier of CNNC

More than 1,000 sets of sophisticated
manufacturing equipment
520 sets of testing equipment
Set up a national laboratory

Developed more than 300 new products
65 national invention patents
310 utility model patents
Participated in the drafting and revision of 43 standards

since 1991



The sales market covers
China End Users PetroChina,
Sinopec, CNOOC and global customers.
Provide fast after-sales service,
distributed all over the country
and around the world.



QUALIFICATION CERTIFICATES



API American Petroleum Institute

REGISTRATION NO. Q1-4037

Certificate of Registration

The American Petroleum Institute certifies that the quality management system of

JIANGSU SUYAN VALVE MACHINERY CO., LTD.
28 Century Avenue, North District
Binhai Industrial Park
Yancheng, Jiangsu
People's Republic of China

has been assessed by the American Petroleum Institute and found to be in conformance with the following:

API Spec Q1, 9th Edition

The scope of this registration and the approved quality management system applies to the

Design, Production and Sales of Wellhead Equipment, Gate, Ball, Check, Butterfly and Globe Valves for the Oil and Gas Industry

API approves the organization's justification for excluding
No Exclusions Identified as Applicable

Effective Date: DECEMBER 28, 2022
Expiration Date: JANUARY 22, 2026
Registered Since: JANUARY 22, 2020

Anchel Liddar
Senior Vice President of Global Industry Services

API Spec Q1 Registered

2024 104 11 211 01gk

American Petroleum Institute

Certificate of Authority to use the Official API Monogram

License Number: 6D-1015 ORIGINAL

The American Petroleum Institute hereby grants to

JIANGSU SUYAN VALVE MACHINERY CO., LTD.
28 Century Avenue, North District
Binhai Industrial Park
Yancheng, Jiangsu
People's Republic of China

the right to use the Official API Monogram[®] on manufactured products under the conditions in the official publications of the American Petroleum Institute entitled API Spec Q1[®] and **API-6D** and in accordance with the provisions of the License Agreement.

In all cases where the Official API Monogram is applied, the API Monogram shall be used in conjunction with this certificate number: **6D-1015**

The American Petroleum Institute reserves the right to revoke this authorization to use the Official API Monogram for any reason satisfactory to the Board of Directors of the American Petroleum Institute.

The scope of this license includes the following: Gate Valves, Ball Valves, Check Valves

QMS Exclusions: No Exclusions Identified as Applicable

Effective Date: JANUARY 22, 2023
Expiration Date: JANUARY 22, 2026

Anchel Liddar
Senior Vice President of Global Industry Services

To verify the authenticity of this license, go to www.api.org/comprohibit.

American Petroleum Institute

Certificate of Authority to use the Official API Monogram

License Number: 600-0189 ORIGINAL

The American Petroleum Institute hereby grants to

JIANGSU SUYAN VALVE MACHINERY CO., LTD.
28 Century Avenue, North District
Binhai Industrial Park
Yancheng, Jiangsu
People's Republic of China

the right to use the Official API Monogram[®] on manufactured products under the conditions in the official publications of the American Petroleum Institute entitled API Spec Q1[®] and **API-600** and in accordance with the provisions of the License Agreement.

In all cases where the Official API Monogram is applied, the API Monogram shall be used in conjunction with this certificate number: **600-0189**

The American Petroleum Institute reserves the right to revoke this authorization to use the Official API Monogram for any reason satisfactory to the Board of Directors of the American Petroleum Institute.

The scope of this license includes the following: Balled Bonnet Steel Gate Valves

QMS Exclusions: No Exclusions Identified as Applicable

Effective Date: JANUARY 22, 2023
Expiration Date: JANUARY 22, 2026

Anchel Liddar
Senior Vice President of Global Industry Services

To verify the authenticity of this license, go to www.api.org/comprohibit.

American Petroleum Institute

Certificate of Authority to use the Official API Monogram

License Number: 602-0100 ORIGINAL

The American Petroleum Institute hereby grants to

JIANGSU SUYAN VALVE MACHINERY CO., LTD.
28 Century Avenue, North District
Binhai Industrial Park
Yancheng, Jiangsu
People's Republic of China

the right to use the Official API Monogram[®] on manufactured products under the conditions in the official publications of the American Petroleum Institute entitled API Spec Q1[®] and **API-602** and in accordance with the provisions of the License Agreement.

In all cases where the Official API Monogram is applied, the API Monogram shall be used in conjunction with this certificate number: **602-0100**

The American Petroleum Institute reserves the right to revoke this authorization to use the Official API Monogram for any reason satisfactory to the Board of Directors of the American Petroleum Institute.

The scope of this license includes the following: Check Valves - DN 100 (NPS 4) and Smaller, Globe Valves - DN 100 (NPS 4) and Smaller, Gate Valves - DN 100 (NPS 4) and Smaller

QMS Exclusions: No Exclusions Identified as Applicable

Effective Date: JANUARY 22, 2023
Expiration Date: JANUARY 22, 2026

Anchel Liddar
Senior Vice President of Global Industry Services

To verify the authenticity of this license, go to www.api.org/comprohibit.

American Petroleum Institute

Certificate of Authority to use the Official API Monogram

License Number: 6A-1098 ORIGINAL

The American Petroleum Institute hereby grants to

JIANGSU SUYAN VALVE MACHINERY CO., LTD.
28 Century Avenue, North District
Binhai Industrial Park
Yancheng, Jiangsu
People's Republic of China

the right to use the Official API Monogram[®] on manufactured products under the conditions in the official publications of the American Petroleum Institute entitled API Spec Q1[®] and **API-6A** and in accordance with the provisions of the License Agreement.

In all cases where the Official API Monogram is applied, the API Monogram shall be used in conjunction with this certificate number: **6A-1098**

The American Petroleum Institute reserves the right to revoke this authorization to use the Official API Monogram for any reason satisfactory to the Board of Directors of the American Petroleum Institute.

The scope of this license includes the following: Checkers, Cross-Over Connectors, Blind and Test Flanges, Tees and Crosses, Top Connectors, Mandrel-Type Hangers, Gate, Ball, Plug Valves at PSL 1, PSL 2, PSL 3

QMS Exclusions: No Exclusions Identified as Applicable

Effective Date: JANUARY 22, 2023
Expiration Date: JANUARY 22, 2026

Anchel Liddar
Senior Vice President of Global Industry Services

To verify the authenticity of this license, go to www.api.org/comprohibit.

American Petroleum Institute

Certificate of Authority to use the Official API Monogram

License Number: 608-0065 ORIGINAL

The American Petroleum Institute hereby grants to

JIANGSU SUYAN VALVE MACHINERY CO., LTD.
28 Century Avenue, North District
Binhai Industrial Park
Yancheng, Jiangsu
People's Republic of China

the right to use the Official API Monogram[®] on manufactured products under the conditions in the official publications of the American Petroleum Institute entitled API Spec Q1[®] and **API-608** and in accordance with the provisions of the License Agreement.

In all cases where the Official API Monogram is applied, the API Monogram shall be used in conjunction with this certificate number: **608-0065**

The American Petroleum Institute reserves the right to revoke this authorization to use the Official API Monogram for any reason satisfactory to the Board of Directors of the American Petroleum Institute.

The scope of this license includes the following: Metal Ball Valves

QMS Exclusions: No Exclusions Identified as Applicable

Effective Date: DECEMBER 28, 2022
Expiration Date: JANUARY 22, 2026

Anchel Liddar
Senior Vice President of Global Industry Services

To verify the authenticity of this license, go to www.api.org/comprohibit.

American Petroleum Institute

Certificate of Authority to use the Official API Monogram

License Number: 609-0144 ORIGINAL

The American Petroleum Institute hereby grants to

JIANGSU SUYAN VALVE MACHINERY CO., LTD.
28 Century Avenue, North District
Binhai Industrial Park
Yancheng, Jiangsu
People's Republic of China

the right to use the Official API Monogram[®] on manufactured products under the conditions in the official publications of the American Petroleum Institute entitled API Spec Q1[®] and **API-609** and in accordance with the provisions of the License Agreement.

In all cases where the Official API Monogram is applied, the API Monogram shall be used in conjunction with this certificate number: **609-0144**

The American Petroleum Institute reserves the right to revoke this authorization to use the Official API Monogram for any reason satisfactory to the Board of Directors of the American Petroleum Institute.

The scope of this license includes the following: Butterfly Valves - Category B

QMS Exclusions: No Exclusions Identified as Applicable

Effective Date: JANUARY 22, 2023
Expiration Date: JANUARY 22, 2026

Anchel Liddar
Senior Vice President of Global Industry Services

To verify the authenticity of this license, go to www.api.org/comprohibit.

API-REGISTRATION

- API-6D
- API-6A
- API-600
- API-602
- API-608
- API-609
- API-5CT
- API-594

American Petroleum Institute

Certificate of Authority to use the Official API Monogram

License Number: SCT-2295 ORIGINAL

The American Petroleum Institute hereby grants to

JIANGSU SUYAN VALVE MACHINERY CO., LTD.
28 Century Avenue, North District
Binhai Industrial Park
Yancheng, Jiangsu
People's Republic of China

the right to use the Official API Monogram[®] on manufactured products under the conditions in the official publications of the American Petroleum Institute entitled API Spec Q1[®] and **API-SCT** and in accordance with the provisions of the License Agreement.

In all cases where the Official API Monogram is applied, the API Monogram shall be used in conjunction with this certificate number: **SCT-2295**

The American Petroleum Institute reserves the right to revoke this authorization to use the Official API Monogram for any reason satisfactory to the Board of Directors of the American Petroleum Institute.

The scope of this license includes the following: Manufacturer of Casing or Tubing Plug Joints N80(1), PSL 1

QMS Exclusions: Design and Development

Effective Date: DECEMBER 11, 2023
Expiration Date: JANUARY 22, 2026

Anchel Liddar
Senior Vice President of Global Industry Services

To verify the authenticity of this license, go to www.api.org/comprohibit.

American Petroleum Institute

Certificate of Authority to use the Official API Monogram

License Number: 594-0025 ORIGINAL

The American Petroleum Institute hereby grants to

JIANGSU SUYAN VALVE MACHINERY CO., LTD.
28 Century Avenue, North District
Binhai Industrial Park
Yancheng, Jiangsu
People's Republic of China

the right to use the Official API Monogram[®] on manufactured products under the conditions in the official publications of the American Petroleum Institute entitled API Spec Q1[®] and **API-594** and in accordance with the provisions of the License Agreement.

In all cases where the Official API Monogram is applied, the API Monogram shall be used in conjunction with this certificate number: **594-0025**

The American Petroleum Institute reserves the right to revoke this authorization to use the Official API Monogram for any reason satisfactory to the Board of Directors of the American Petroleum Institute.

The scope of this license includes the following: Check Valves - Type B, Check Valves - Type A

QMS Exclusions: No Exclusions Identified as Applicable

Effective Date: JANUARY 22, 2023
Expiration Date: JANUARY 22, 2026

Anchel Liddar
Senior Vice President of Global Industry Services

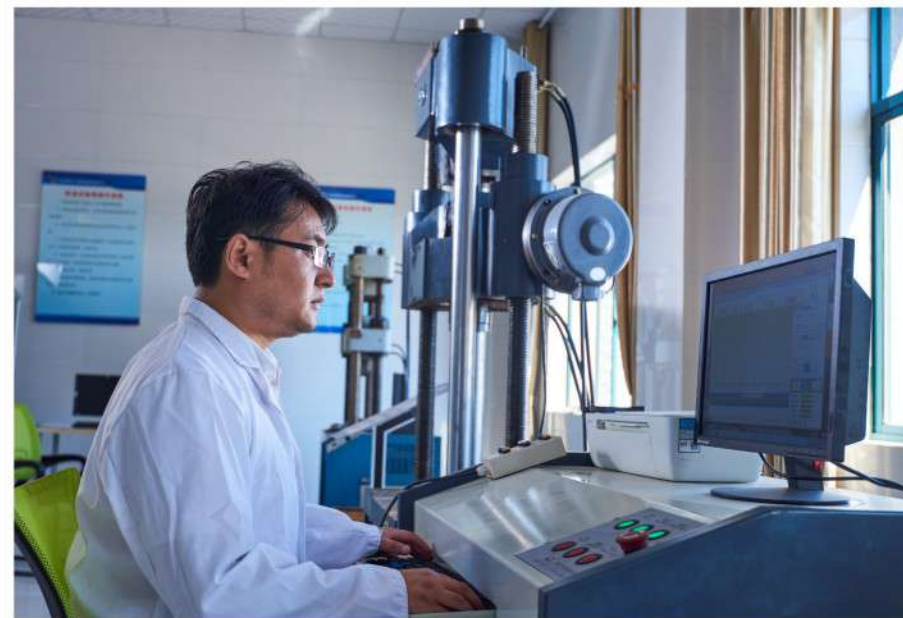
To verify the authenticity of this license, go to www.api.org/comprohibit.

QUALITY ASSURANCE



Detection test project is complete

SUYAN sequent imported production line such as most advanced digital control workstation, touchable induction three-coordinate digital instrument (made in USA), portable spectrum analyzer, ultra-low temperature detecting system, vacuum & micro-leakage detecting system and NDT instrument including ultrasonic detector etc. the advanced equipment and professional QC inspector jointly guarantee the high quality of product.



CAST&FORGED WORKSHOP



As one of the pressure-bearing equipment for fluid control pipelines, the quality of valve body is the most important for the life and personnel environmental safety, especially in the conditions of high temperature and pressure. Therefore, valves are always critical. The customer needs to pre-quality the first certified material before approving the valve manufacturer as a cooperative supplier.



Casting production line

Coated sand production line



DATA MANAGEMENT



Automatic
Production
Line



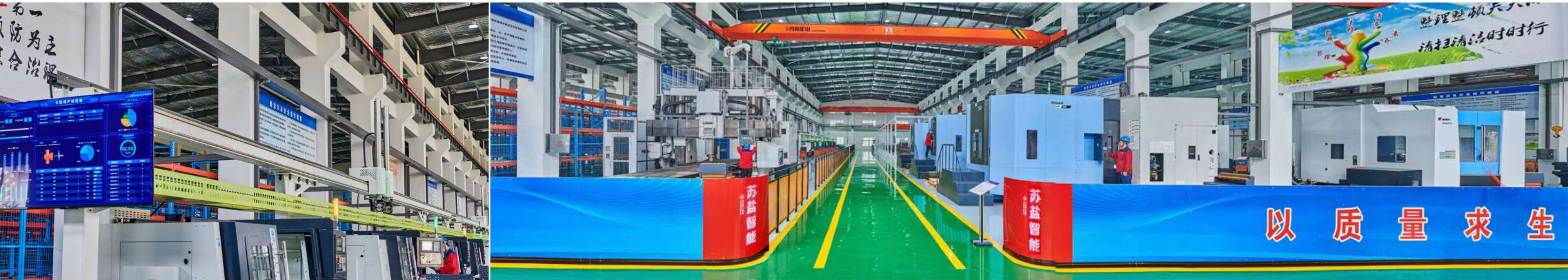
MES
Management
System



The advanced hard facilities ensure
SUYAN to be at best position during
market competition.



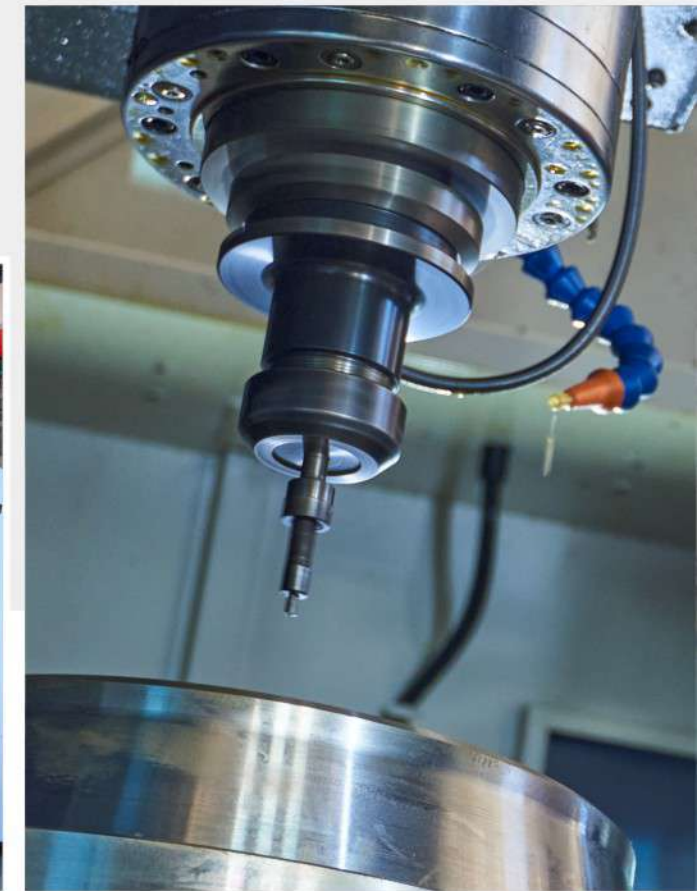
PRODUCTION EQUIPMENT



SUYAN is fitted with precise numerical control machine tools and processing center, advanced equipment testing instruments, superior technology, consummate quality control system, professional elite and outstanding scientific research team. We fully use technology, new workmanship and new materials to ensure the dependability of products.



MACHINING CENTER



PRODUCTION EQUIPMENT



Fully CNC Automation

Fully CNC, automatic production process to bring high precision, high quality stable and reliable products High-tech equipment, professional team, to ensure excellent product quality



**Committed to providing customers
with quality products and services**

SUYAN refinement of the accuracy of the pursuit of production. Constantly improve the lean production mode, including every parts, are strictly according to standard meticulously, ensure that the products of high quality.



VALUED CUSTOMERS



 RESOURCES GAS	 TIANLI GAS	 PETROBRAS	 SINOPEC ENGINEERING
 WISON	 ENERGAS	 SHAANGU	 WISON
 XINHUA CHEMICAL	 FURUI SE	 CNMIC	 HGMRI
 TCC	 DATANG ENERGY	 CTCI	 سابك SABIC
 BAYER	 LIAHERD	 CNWG	 ZJ UNIVERSITY

We Have Provided Matching Service For Many National And Foreign Stress Projects

Quality engineering long-lasting quality

Under many years brand operating and aborative exercising, the strength and credit of company are increasing steadily, at present SuYan has been China petrification group material equipment company; China petrol & natural gas group company; China Aluminum Group company and the pointing member unit of China Sea Petroleum, metallurgy and steel-making, electricity system. SuYan brand series valves are sold to such over 10 countries and areas, welcomed by vast customers.

 SINOPEC	 CNPC	 SNPTC	 CNOOC	 SINOCHEN	 CHEMCHINA	
 CSSC	 CGDC	 CRECG	 CHALCO	 CHINA XD	 SHENHUA GROUP	 CHINAGAS
 CMCC	 SINOPHARM	 BAOSTEEL	 BAOGANG GROUP	 ANGANG STEEL	 SHOUGANG STEEL	 BEIJING GAS
 BEIJING GAS	 XINAO GAS	 TOWNGAS	 GUANGZHOU GAS	 SHANGHAI GAS	 XINJIANG GAS	 SHENYANG GAS



PLUG VALVE



- > API SLEEVE TYPE SOFT SEALING PLUG VALVE
- > API JACKET SLEEVE PLUG VALVE
- > PLUG VALVE 3-WAY/4-WAY
- > SINGLE (DOUBLE) FLUSH PLUG VALVE
- > API INVERTED PRESSURE BALANCE LUBRICATED PLUG VALVE
- > API FLANGE-CONNECTION HARD SEAL LIFTING PLUG VALVE

SOFT SEALING PLUG VALVE



SUYAN VALVE

PRODUCT STRUCTURAL FEATURES

Sleeve type soft sealing plug valve acc. to ANSI is applicable to the cutting and connection of pipelines medium that are used in various industries such as petroleum, chemical industry, pharmacy, chemical fertilizer, power industry etc under nominal pressure of CLASS150-900LBS, and working temperature of -29~180°C.

MAIN STRUCTURAL FEATURES

1. The product has reasonable structure, reliable sealing, excellent performance and beautiful appearance.
2. Its sealing is realized by the sealing face around the sleeve. It has unique 360 degree metal edge for protection and fixing of the Sleeve.
3. There is no cavity in the valve for accumulation of medium.
4. Metal edge provides the function of self-cleaning when the plug is rotated, applicable to the operation condition that is glutinous and apt to smudge.
5. Its characteristic double-direction flow makes installation and use more Convenient.
6. The materials of the parts and sizes of flanges can be reasonably configured according to the actual operation condition of the requirements of the customers, so as to meet the various needs of engineering.

TECHNICAL SPECIFICATION

Structural style	BC
Driving mode	Wrench wheel, worm & worm gear, pneumatic, electric-actuated
Design standard	API 599, API 6D
Structure length	ASME B16.10
Connecting flange	ASME B16.5
Test and inspection	API598, API6D

Note: the size of serial valve connecting flange can be designed according to customers' requirement.

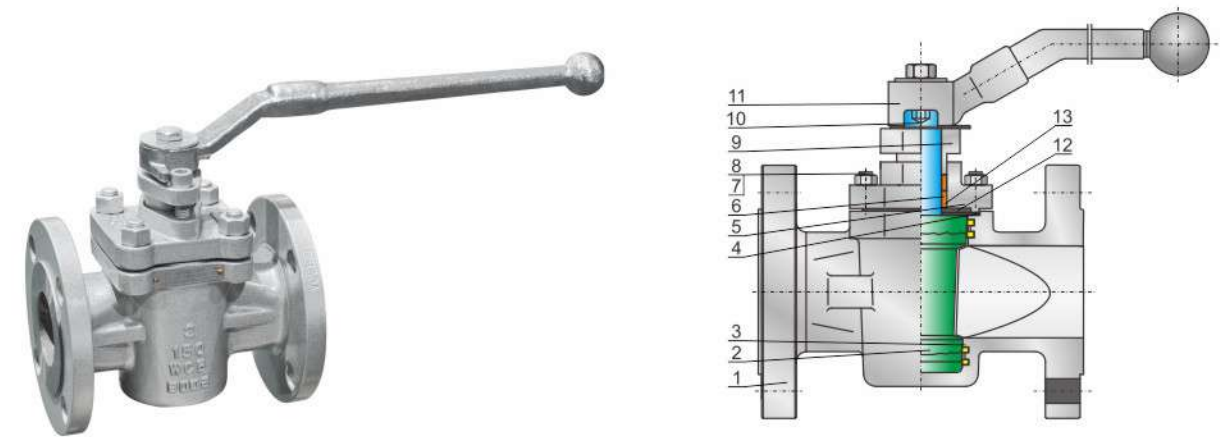
PRODUCT PERFORMANCE SPECIFICATION

Normal pressure	Shell test	Sealing test	Suitable temp	Suitable medium
150	3.0	2.2	≤120°C/200°C	Water, steam, Gas & oil
300	7.7	5.62		
600	15.4	11.23		
900	23.0	16.85		
1500	38.5	28.10		

SOFT SEALING PLUG VALVE



SUYAN VALVE



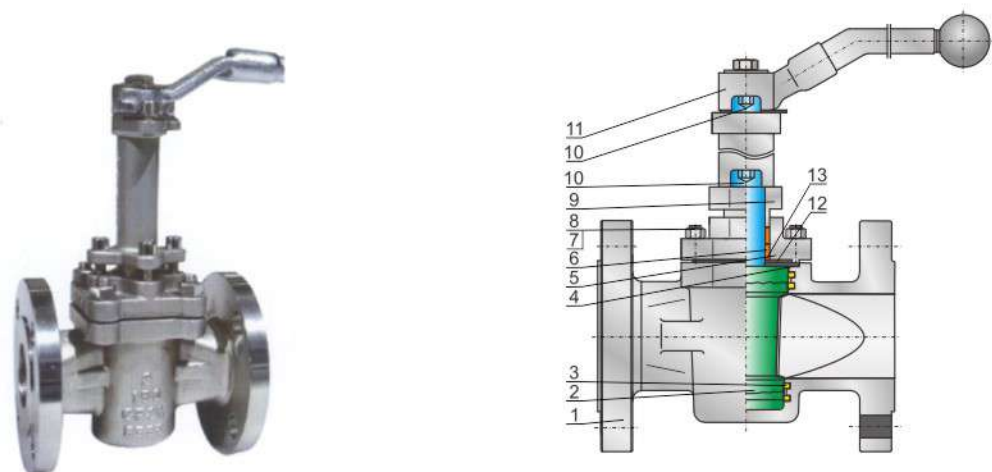
MAIN PARTS MATERIALS

NO.	Part name	Material
1	Body	ASTM A216-WCB, ASTM A217-WC1, WC6, WC9, C5 ASTM A351-CF8, CF8M, CF3, CF3M
2	Plug	ASTM A216-WCB, ASTM A217-WC1, WC6, WC9, C5 ASTM A351-CF8, CF8M, CF3, CF3M
3	Sleeve(Seat)	PTFE, RPTFE, PPL, PEEK, Nylon
4	Gasket	Flexible graphite+stainless steel, PTFE
5	Bonnet	ASTM A216-WCB, ASTM A217-WC1, WC6, WC9, C5 ASTM A351-CF8, CF8M, CF3, CF3M
6	Packing	PTFE
7	Bolt	ASTM A193-B7, A320-B8, A193-B8M
8	Nut	ASTM A194-2H, A194-8, A194-8M
9	Gland	ASME A216-WCB ASME A217-WC1 WC6 WC9, C5 ASME A351 CF8, CF8M, CF3, CF3M
10	Adjusting gasket	ASTM A193-B7, A320-B8, A193-B8M
11	Wrench	ASTM A216 WCB
12	Adjusting pad	SS304, SS316
13	Packing pad	SS304, SS316

SOFT SEALING PLUG VALVE



SUYAN VALVE



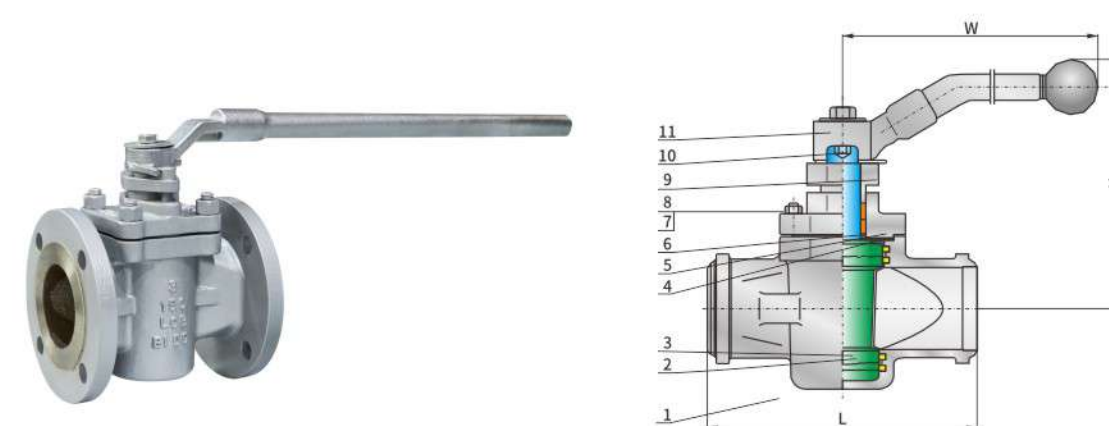
MAIN PARTS MATERIALS

NO.	Part name	Material
1	Body	ASTM A216-WCB,ASTM A217-WC1,WC6,WC9,C5 ASTM A351-CF8,CF8M,CF3,CF3M
2	Plug	ASTM A216-WCB,ASTM A217-WC1,WC6,WC9,C5 ASTM A351-CF8,CF8M,CF3,CF3M
3	Sleeve(Seat)	PTFE, RPTFE, PPL, PEEK, Nylon
4	Gasket	Flexible graphite+stainless steel, PTFE
5	Bonnet	ASTM A216-WCB,ASTM A217-WC1,WC6,WC9,C5 ASTM A351-CF8,CF8M,CF3,CF3M
6	Packing	PTFE
7	Bolt	ASTM A193-B7,A320-B8,A193-B8M
8	Nut	ASTM A194-2H,A194-8,A194-8M
9	Gland	ASME A216-WCB ASME A217-WC1 WC6 WC9, C5 ASME A351 CF8,CF8M,CF3,CF3M
10	Adjusting gasket	ASTM A193-B7,A320-B8,A193-B8M
11	Wrench	ASTM A216 WCB
12	Adjusting pad	SS304, SS316
13	Packing pad	SS304, SS316

SOFT SEALING PLUG VALVE



SUYAN VALVE



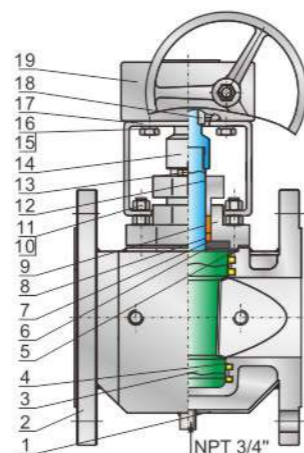
MAIN PARTS MATERIALS

NO.	Part name	Material
1	Body	ASTM A216-WCB,ASTM A217-WC1,WC6,WC9,C5 ASTM A351-CF8,CF8M,CF3,CF3M
2	Plug	ASTM A216-WCB,ASTM A217-WC1,WC6,WC9,C5 ASTM A351-CF8,CF8M,CF3,CF3M
3	Sleeve (Seat)	PTFE, RPTFE, PPL, PEEK, Nylon
4	Gasket	Flexible graphite+stainless steel, PTFE
5	Bonnet	ASTM A216-WCB,ASTM A217-WC1,WC6,WC9,C5 ASTM A351-CF8,CF8M,CF3,CF3M
6	Packing	PTFE
7	Bolt	ASTM A193-B7,A320-B8,A193-B8M
8	Nut	ASTM A194-2H,A194-8,A194-8M
9	Gland	ASME A216-WCB ASME A217-WC1 WC6 WC9, C5 ASME A351 CF8,CF8M,CF3,CF3M
10	Adjust bolt	ASTM A193-B7,A320-B8,A193-B8M
11	Wrench	ASTM A216 WCB

SLEEVE PLUG VALVE



SUYAN VALVE



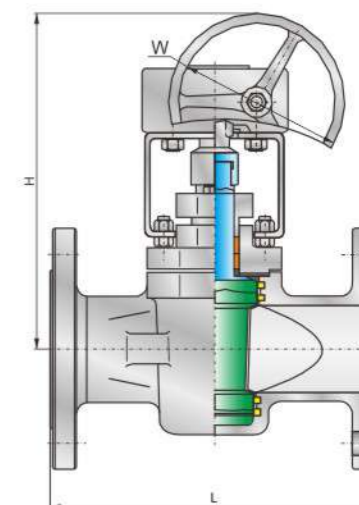
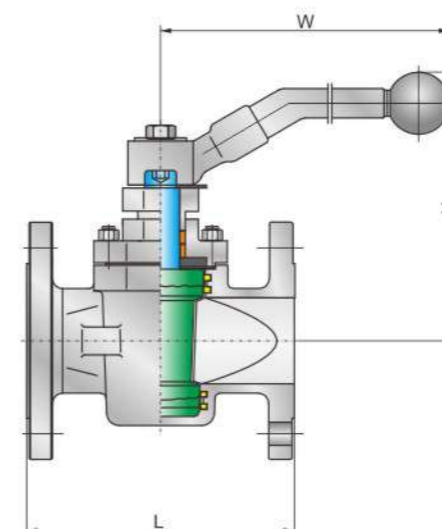
MAIN PARTS MATERIALS

NO.	Part name	Material
1	Jacket	ASTM A283 Gr D, SS304, SS316
2	Body	A216 WCB, A351 CF8, A351 CF8M, A351 CF3M, A351 CN7M, 904L
3	Plug	A351 CF8, A351 CF8M, A351 CF3M, A351 CN7M, 904L
4	Seat	PTF0E, RPTFE, PPL, NyLon, PEEK
5	Gasket	PTFE, RPTFE, PPL, SS304+Graphite
6	Packing pad	SS304, SS316, SS316L
7	Packing pad	SS304, SS316, SS316L
8	Packing	Graphite, PTFE, RPTFE, PPL
9	Bonnet	A216 WCB, A351 CF8, A351 CF8M, A351 CF3M, A351 CN7M, 904L
10	Bolt	A193 B7M, A193 B8M, A193 B8, A193 B7
11	Nut	A194 2HM, A194 8M, A194 8, A194 2H
12	Gland flange	A216 WCB, A351 CF8
13	Bolt	A193 B7M, A193 B8M, A193 B8, A193 B7
14	Connecting sleeve	AISI 1045
15	Bolt	A193 B7M, A193 B8M, A193 B8, A193 B7
16	Gasket	AISI 1566
17	Yoke	ASTM A283 GR D, SS304
18	Key	AISI 1045
19	Worm	A536 60-40-18, WCB

SOFT SEAL PLUG VALVE



SUYAN VALVE



MAIN DIMENSIONS

X343F/X43F-150LB																
Size	mm	15	20	25	32	40	50	65	80	100	125	150	200	250	300	350
	in	1/2	3/4	1	1 1/4	1 1/2	2	2 1/2	3	4	5	6	8	10	12	14
L		108	117	127	140	165	178	190	203	229	254	267	292	330	356	381
H		110	115	115	135	140	150	165	180	380	460	520	580	620	680	760
W		195	205	205	315	315	330	400	590	690	300	320	320	350	380	450
Weight		8.5	9.5	10.5	12	14	18	22	26	40	60	70	130	219	381	570
X343F/X43F-300LB																
Size	mm	15	20	25	32	40	50	65	80	100	125	150	200	250	300	350
	in	1/2	3/4	1	1 1/4	1 1/2	2	2 1/2	3	4	5	6	8	10	12	14
L		140	152	165	178	190	216	241	283	305	381	403	419	457	502	762
H		110	115	115	135	140	150	165	180	380	460	502	580	620	680	760
W		195	205	205	315	315	330	400	590	690	300	320	320	350	380	450
Weight		8.5	9.5	10.5	12	14	18	22	26	40	60	70	130	219	381	570
X343F/X43F-600LB																
Size	mm	15	20	25	32	40	50	65	80	100	125	150	200	250	300	350
	in	1/2	3/4	1	1 1/4	1 1/2	2	2 1/2	3	4	5	6	8	10	12	14
L		165	190	216	229	241	292	330	356	432	508	559	660	787	838	889
H		110	115	115	135	140	150	165	180	380	460	520	580	620	680	760
W		195	205	205	315	315	330	400	590	690	300	320	320	350	380	450
Weight		11	13	17	20	23	27	31	36	72	98	141	245	330	515	710
X343F/X43F-900LB																
Size	mm	15	20	25	32	40	50	65	80	100	125	150	200	250	300	350
	in	1/2	3/4	1	1 1/4	1 1/2	2	2 1/2	3	4	5	6	8	10	12	14
L		216	229	254	279	305	368	419	381	457	559	610	737	838	965	1029
H		110	115	115	135	140	150	165	180	380	460	520	580	620	680	760
W		195	205	205	315	315	330	400	590	690	300	320	320	350	380	450
Weight		13	16	21	24	28	32	40	47	91	117	165	285	420	610	860

Note: The valve size above 3 inch with worm gear

3-WAY 4-WAY

Design Features

According to different conditions, the 3-way, 4-way plug valve can be designed into diverse media flowing forms(eg. "L" type or "T" type) or all kinds of material (eg. Iron, cast steel, stainless steel) or unlike sealing forms(eg. Metal to metal, sleeve Type, lubricated, etc)



PLUG VALVE

3-WAY/4-WAY

PRODUCT STRUCTURAL FEATURES

3-way, 4-way plug valve is applicable to change the media flowing direction or to distribute the media, that are used in various industries such as, petroleum, chemical industry, pharmacy, chemical fertilizer, power, Industry etc. under nominal pressure class 150~900LBS, PN1.0~16.0, Working temperature -29°C~550°C

MAIN STRUCTURAL FEATURES

1. The product has reasonable structure, reliable sealing, excellent performance and beautiful appearance.
2. According to different conditions, the 3-way, 4-way plug valve can be designed into diverse media flowing forms(eg. "L" type or "T" type) or all kinds of material (eg. Iron, cast steel, stainless steel) or unlike sealing forms(eg. Metal to metal, sleeve Type, lubricated, etc).
3. The materials of the parts and sizes of flanges can be reasonably configured according the actual operation condition of the requirements of the customers, so as to meet the various needs of engineering.

TECHNICAL SPECIFICATION

Structural style	BB-BG
Driving mode	Wrench wheel, worm & worm gear, pneumatic, electric-actuated
Design standard	API 599, API 6D, GB/T22130
Design criteria	ASME B16.10, GB12221, EN558
Connecting flange	ASME B16.5, HB20592, EN1092
Test and inspection	API598, API6D, GB/T13927, EN12266

PRODUCT PERFORMANCE SPECIFICATION

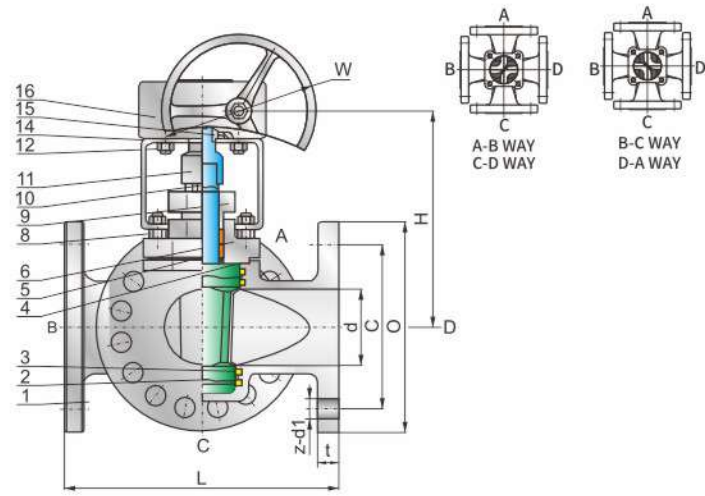
Normal pressure	Shell test	Sealing test	Normal pressure	Shell test	Sealing test
150	3.0	2.2	1.6	2.4	1.76
300	7.7	5.62	2.5	3.75	2.75
600	15.4	11.23	4.0	6.0	4.4
900	23.0	16.85	6.4	9.6	7.04
			10.0	15.0	11.0
			16.0	24.0	17.6

PLUG VALVE

4-WAY



SUYAN VALVE



MAIN PARTS MATERIALS

NO.	Part name	Material
1	Body	B148-C95800
2	Plug	B148-C95800
3	Seat	PTFE
4	Gasket	PTFE
5	Packing	PTFE
6	Bonnet	B148-C95800
7	Bolt	A193-B8M
8	Nut	A194-8M
9	Gland	B148-C95800
10	Bolt	A193-B8M
11	Connecting sleeve	AISI-1045
12	Bolt	AISI-1035
13	asket	AISI-1066
14	Yoke	CS
15	Pin	AISI-1045
16	Worm	A536 60-40-18+other

PLUG VALVE

3-WAY/4-WAY



SUYAN VALVE

MULTIPOINT VALVES

Multipoint Sleeved Plug Valves bring economy and more compact system design to thousands of applications.

BI-DIRECTIONAL FLOW FOR MORE FLEXIBILITY.

In the diagrams the color indicates the path of fluid flow. Bi-directional flow permits more system design options.



3-WAY ARRANGEMENTS

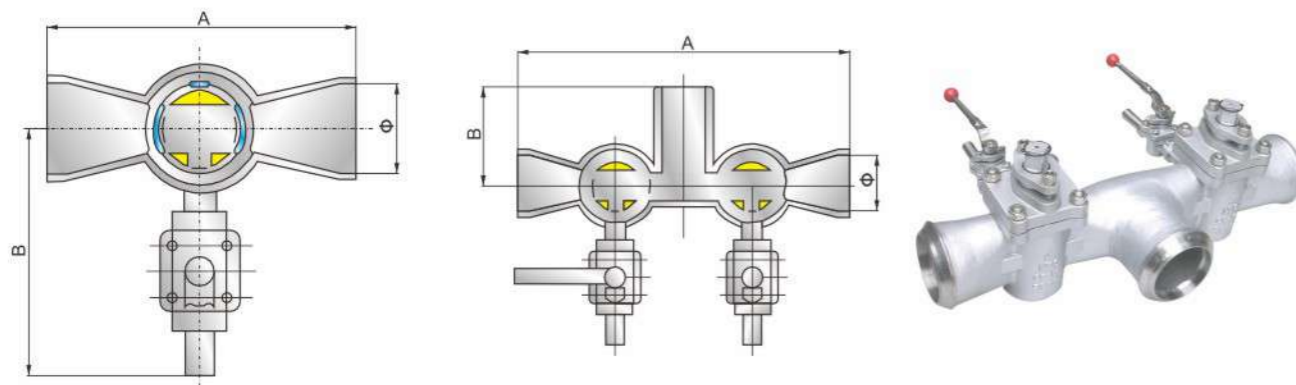
Only the Type A plug will shut off the flow. With the Type AX, C, and D plugs, there is always flow between the bottom port and one of the side ports.



4-WAY AND 5-WAY VALVES

For optimum system flexibility 4-way and 5-way multipointed valves are available.

	Type A	Type AX	Type C	Type C Pos. 1&2 Only	Type C Pos. 2&3 Only	Type D	Type D Pos. 1&2 Only	Type D Pos. 2&3 Only
0° Position								
90° Position								
180° Position								



MAIN DIMENSIONS

NPS Nominal diameter(in)	150LB (SINGLE FLUSH)			
	A	B	C	Φ
2	216	278		54.8
3	283	278		82.8
4	305	293		108.2
6	403	308		161.5
8	419	320		211.6
10	457	333		264.7
NPS Nominal diameter(in)	150LB (DOUBLE FLUSH)			
	A	B	C	Φ
2	356	115	278	54.8
3	406	140	293	82.8
4	458	150	308	108.2
6	534	200	320	161.5
8	584	270	270	211.6
10	660	350	350	264.7
NPS Nominal diameter(in)	300LB (SINGLE FLUSH)			
	A	B	C	Φ
2	216	278		54.8
3	283	278		82.8
4	305	293		108.2
6	403	308		161.5
8	419	320		211.6
10	457	333		264.7
NPS Nominal diameter(in)	300LB (DOUBLE FLUSH)			
	A	B	C	Φ
2	432	115	278	54.8
3	566	140	293	82.8
4	610	150	308	108.2
6	806	200	320	161.5
8	838	270	270	211.6
10	914	350	350	264.7

LUBRICATED PLUG VALVE

Design Features

An oil groove is set between valve body and seal surface, which may infuse the seal grease to increase the seal capability



LUBRICATED PLUG VALVE



SUYAN VALVE

PRODUCT STRUCTURAL FEATURES

Inverted pressure balance lubricated plug valve acc. to ANSI is applicable to the cutting and connection of pipelines medium that are used in various industries such as petroleum, chemical industry, pharmacy, chemical fertilizer, electric power industry etc under nominal pressure of CLASS150-900LBS and working temperature of -29-180°C

MAIN STRUCTURAL FEATURES

- 1.It has logical structure, reliable seal, excellent performance and nice design.
- 2.It has the structure of flip-chip balanceable pressure and light on/off operation.
- 3.An oil groove is set between valve body and seal surface, which may infuse the seal grease to increase the seal capability.
- 4.The part materials and flange dimension may be selected according to current operating condition and users requirement, so that meet the requirements of various engineering.

TECHNICAL SPECIFICATION

Structural style	BC
Driving mode	Manual
	Electric-actuated
Design standard	API 599, API 6D
Structure length	ASME B16.10
Connecting flange	ASME B16.5
Test and inspection	API598, API6D

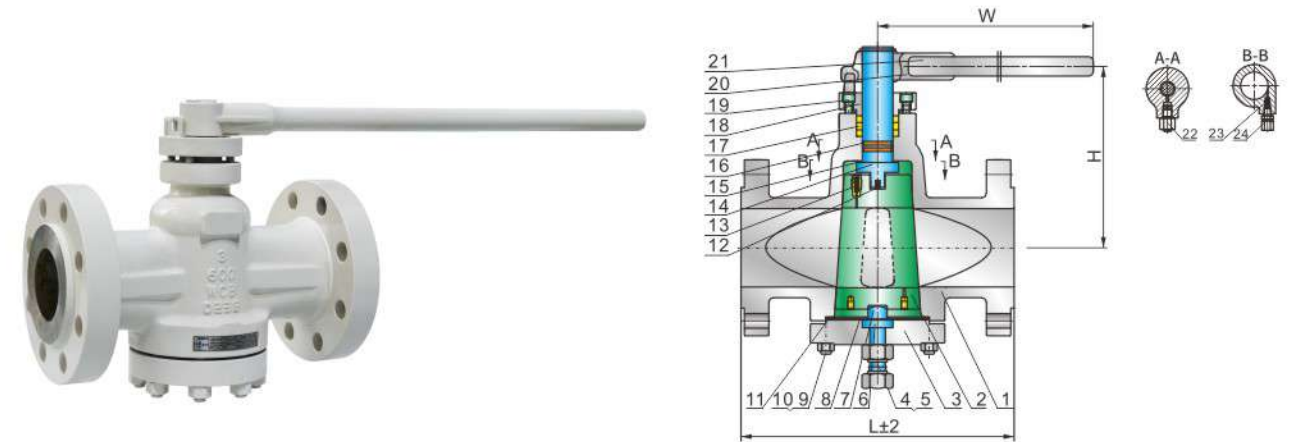
PRODUCT PERFORMANCE SPECIFICATION

Normal pressure	Shell test	Sealing test	Suitable temp	Suitable medium
150	3.0	2.2	≤80°C/300°C	Water, steam, Gas & oil
300	7.7	5.62		
600	15.4	11.23		
900	23.0	16.85		
1500	38.3	28.10		
2500	63.8	46.80		

LUBRICATED PLUG VALVE



SUYAN VALVE



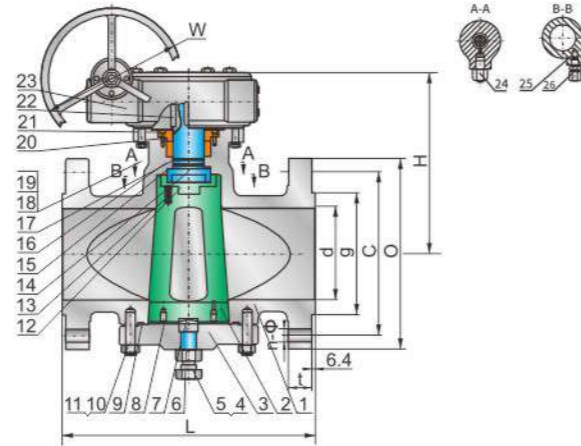
MAIN PARTS MATERIALS

NO.	Part name	Material
1	Body	A216 WCB
2	Cock	A217 CA15+N
3	Cover	A216 WCB
4	Bolt	A193 B7
5	Nut	A194 2H
6	Adjustment block	A276 410
7	Adjustment block	A276 410
8	Metal diaphragm	SS304
9	Bolt	A193 B7
10	Nut	A194 2H
11	Winding gasket	SS304+Flexible graphite
12	Spring	SS304
13	Check valve	UCA
14	Stem	A182 F6a
15	Gasket	PTFE
16	O-ring	Viton
17	Packing	Graphite
18	Gland	A216 WCB
19	Bolt	A193 B7
20	The pipe	A570
21	Handle	A216 WCB
22	Sealing emergency device	UCA
23	Check valve	UCA
24	Grease valve	UCA

LUBRICATED PLUG VALVE



SUYAN VALVE



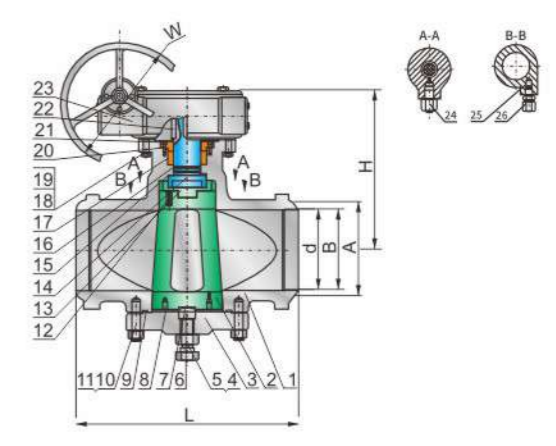
MAIN PARTS MATERIALS

NO.	Part name	Material
1	Body	A352 LCC
2	Cock	A352 LCC
3	Cover	A352 LCC
4	Nut	A194-4
5	Bolt	A320-L7
6	Adjustment block	A276-410
7	Adjustment block	A276-410
8	Metal diaphragm	SS304
9	Spiral wound gasket	SS304+Graphite
10	Nut	A194-4
11	Bolt	A320-L7
12	Check valve	UCA
13	Connector	A276-410
14	Stem	A322 4140+ENP, A322 4140+ENP
15	Gasket	PTFE
16	O-ring	Viton
17	Packing	Graphite
18	Bolt	AISI 1035
19	Elastic gasket	AISI 1066
20	Gland	A352 LCC
21	Bolt	A320-L7
22	Key	AISI 1045
23	Turbine drive	UCA
24	Emergency sealing device	UCA
25	Check valve	UCA
26	Grease valve	UCA

LUBRICATED PLUG VALVE



SUYAN VALVE



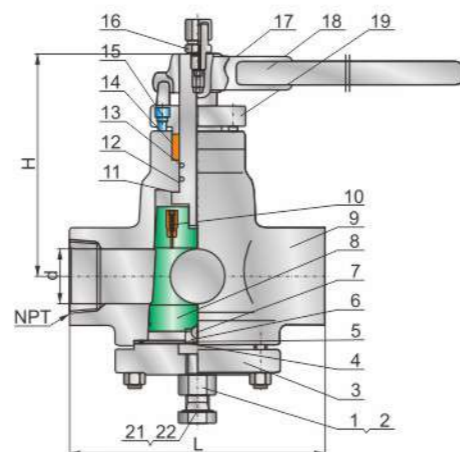
MAIN PARTS MATERIALS

NO.	Part name	Material
1	Body	A216-WCB
2	Cock	A216-WCB
3	Cover	A216-WCB
4	Nut	A194-2H
5	Bolt	A193-B7
6	Adjustment block	A276-410
7	Adjustment block	A276-410
8	Metal diaphragm	SS304
9	Spiral wound gasket	SS304+Graphite
10	Nut	A194-2H
11	Bolt	A193-B7
12	Check valve	UCA
13	Connector	A276-410
14	Stem	A182-F6a
15	Gasket	PTFE
16	O-ring	Viton
17	Packing	Graphite
18	Bolt	AISI 1035
19	Elastic gasket	AISI 1066
20	Gland	A216-WCB
21	Bolt	A193-B7
22	Key	AISI 1045
23	Turbine drive	UCA
24	Emergency sealing device	UCA
25	Check valve	UCA
26	Grease valve	UCA

LUBRICATED PLUG VALVE



SUYAN VALVE



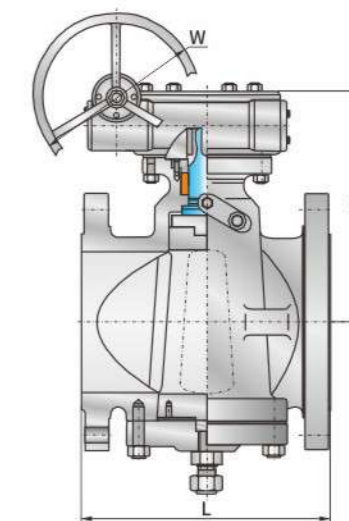
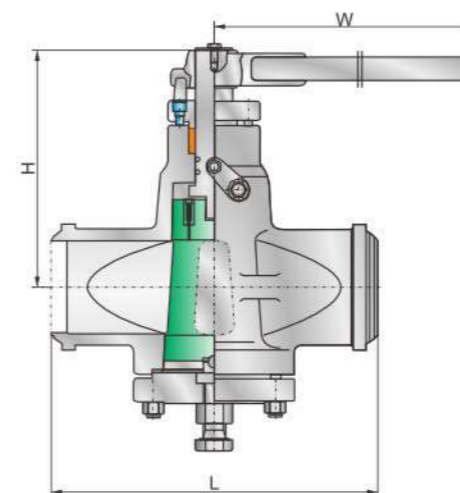
MAIN PARTS MATERIALS

NO.	Part name	Material
1	Bolt	A193-B7
2	Nut	A194-2H
3	Cover	A105
4	Metal diaphragm	SS304
5	Winding gasket	SS304+Graphite
6	Adjustment block	A276-410
7	Ball	SS304
8	Cock	A105
9	Body	A105
10	Check valve	UCA
11	Gasket	PTFE
12	Stem	A182-F6a
13	O-ring	Viton
14	Packing	Graphite
15	Bolt	A193-B7
16	Grease valve	UCA
17	Pipe	A570
18	Handle	A216-WCB
19	Gland	A216-WCB
20	Bolt	A193-B7
21	Nut	A194-2H

LUBRICATED PLUG VALVE



SUYAN VALVE



MAIN DIMENSIONS

X47W/X347W-150LB																
Size	mm	15	20	25	32	40	50	65	80	100	125	150	200	250	300	350
	in	1/2	3/4	1	1 1/4	1 1/2	2	2 1/2	3	4	5	6	8	10	12	14
L		108	117	127	140	165	178	190	203	229	254	267	292	330	356	381
H		180	180	185	200	214	215	250	270	300	340	365	400	450	510	590
W		400	400	500	500	600	600	820	820	300	300	320	320	350	380	380
Weight		10	12	14	17	19	21	29	33	48	75	98	125	171	230	370
X47W/X347W-300LB																
Size	mm	15	20	25	32	40	50	65	80	100	125	150	200	250	300	350
	in	1/2	3/4	1	1 1/4	1 1/2	2	2 1/2	3	4	5	6	8	10	12	14
L		140	152	165	178	190	216	241	283	305	381	403	419	457	502	762
H		180	180	185	200	210	215	250	270	300	340	365	400	450	510	590
W		400	400	500	600	600	820	1000	1000	300	300	320	320	350	380	380
Weight		12	14	16	19	21	24	31	36	61	86	130	190	255	380	560
X47W/X347W-600LB																
Size	mm	15	20	25	32	40	50	65	80	100	125	150	200	250	300	350
	in	1/2	3/4	1	1 1/4	1 1/2	2	2 1/2	3	4	5	6	8	10	12	14
L		165	190	216	229	241	292	330	356	432	508	559	660	787	838	889
H		180	180	185	200	210	215	250	270	300	340	365	400	450	510	590
W		400	400	500	500	600	600	820	820	300	300	320	320	350	380	380
Weight		14	16	18	20	24	29	35	47	91	129	210	320	660	920	1250
X47W/X347W-900LB																
Size	mm	15	20	25	32	40	50	65	80	100	125	150	200	250	300	350
	in	1/2	3/4	1	1 1/4	1 1/2	2	2 1/2	3	4	5	6	8	10	12	14
L		216	229	254	279	305	368	419	381	457	559	610	737	838	965	1029
H		180	180	185	200	210	215	250	270	300	340	365	400	450	510	590
W		400	400	500	600	600	820	1000	1000	300	300	320	320	350	380	380
Weight		17	29	21	24	30	37	44	65	110	160	255	380	810	1050	1460

LIFTING PLUG VALVE

Design Features

Opening and closing of the valve is carried out while the sealed surface is taken off, so it will not cause abrasion on the sealed surface



LIFTING PLUG VALVE

PRODUCT STRUCTURAL FEATURES

Flange-connection lifting plug valve acc. to ANSI is applicable to the cutting and connection of pipelines medium that are used in various industries such as petroleum, chemical industry, pharmacy, chemical fertilizer, power industry etc under nominal pressure of CLASS150~1500LBS, and working temperature of -29~550°C.

MAIN STRUCTURAL FEATURES

1. The product has reasonable structure, reliable sealing, excellent performance and beautiful appearance.
2. Opening and closing of the valve is carried out while the sealed surface is taken off, so it will not cause abrasion on the sealed surface.
3. Its characteristic double-direction flow makes installation and use more conveniently.
4. The materials of the parts and sizes of flanges can be reasonably configured according to the actual operation condition of the requirements of the customers, so as to meet the various needs of engineering.

TECHNICAL SPECIFICATION

Structural style	BC
Driving mode	BB-BG-QS & Y Hand wheel, bevel gear, wrench
Design standard	API 599, API 6D
Structure length	ASME B16.10
Connecting flange	ASME B16.5
Test and inspection	API598, API6D

Note: the size of serial valve connecting flange can be designed according to customers' requirement.

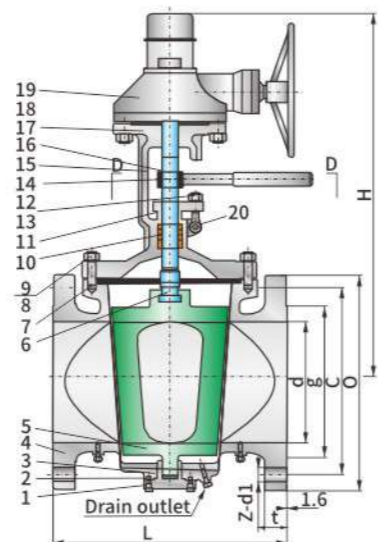
PRODUCT PERFORMANCE SPECIFICATION

Normal pressure	Shell test	Sealing test	Suitable temp	Suitable medium
150	3.0	2.2	-29-550°C	Water, Gas & oil
300	7.7	5.62		
600	15.4	11.23		
900	23.0	16.85		
1500	38.3	28.10		
2500	63.80	46.80		

LIFTING PLUG VALVE



SUYAN VALVE



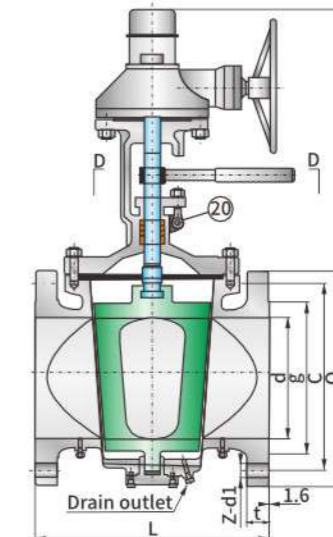
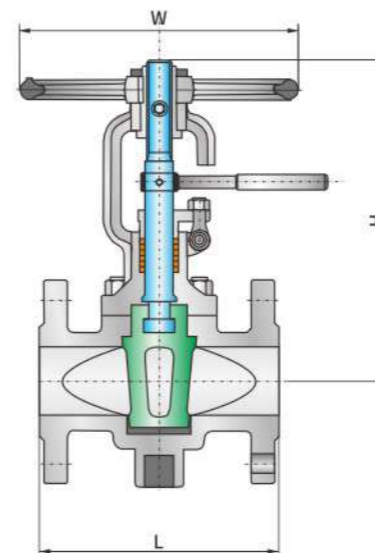
MAIN PARTS MATERIALS

NO.	Part name	Material
1	Bolt	A193 B16
2	Gasket	SS304+Graphite
3	Bottom cover	A217 C5
4	Body	ASTM A216-WCB, ASTM A217-WC1, WC6, WC9, C5 ASTM A351-CF8, CF8M, CF3, CF3M
5	Cock	ASTM A216-WCB, ASTM A217-WC1, WC6, WC9, C5 ASTM A351-CF8, CF8M, CF3, CF3M
6	Stem	A276 410
7	Gasket	Flexible graphite+stainless steel, PTFE
8	Bolt	ASTM A193-B7,A320-B8,A193-B8M
9	Nut	ASTM A194-2H,A194-8,A194-8M
10	Packing	Flexible graphite, PTFE
11	Gland	ASTM A216-WCB,ASTM A217-WC1,WC6,WC9,C5 ASTM A351-CF8,CF8M,CF3,CF3M
12	Bolt	ASTM A193-B7,A320-B8,A193-B8M
13	Nut	ASTM A194-2H,A194-8,A194-8M
14	Pin	SS304
15	Valve cover	ASTM A216-WCB,ASTM A217-WC1,WC6,WC9,C5 ASTM A351-CF8,CF8M,CF3,CF3M
16	Handle	ASTM A216-WCB ASTM A351-CF8,CF8M,CF3,CF3M
17	Bolt	ASTM A193-B7,A320-B8,A193-B8M
18	Nut	ASTM A194-2H,A194-8,A194-8M
19	Gear	UCA
20	Pin	SS304

LIFTING PLUG VALVE

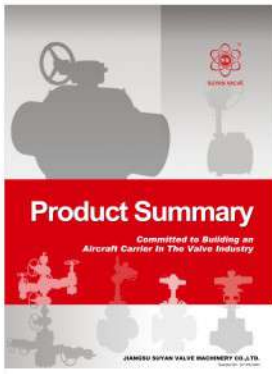


SUYAN VALVE

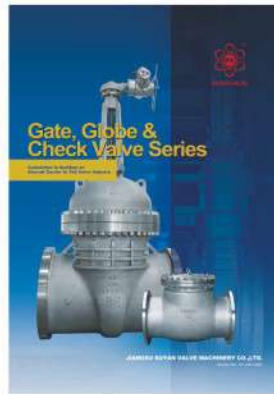


MAIN DIMENSIONS

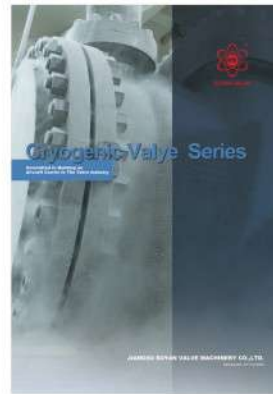
TSX543W/TSX43W-150LB																
Size	mm	15	20	25	32	40	50	65	80	100	125	150	200	250	300	350
	in	1/2	3/4	1	1 1/4	1 1/2	2	2 1/2	3	4	5	6	8	10	12	14
L		108	117	127	140	165	178	190	203	229	254	267	292	330	356	381
H		190	195	225	260	280	310	250	395	300	470	535	590	630	680	720
W		180	180	180	220	220	220	250	250	300	350	350	400	500	500	600
Weight		9	10	11	17	19	23	29	32	48	82	98	130	178	250	380
TSX543W/TSX43W-300LB																
Size	mm	15	20	25	32	40	50	65	80	100	125	150	200	250	300	350
	in	1/2	3/4	1	1 1/4	1 1/2	2	2 1/2	3	4	5	6	8	10	12	14
L		140	152	165	178	190	216	241	283	305	381	403	419	457	502	762
H		190	195	225	260	280	310	340	395	435	470	535	590	630	680	720
W		180	180	180	220	220	220	250	250	300	350	350	400	500	500	600
Weight		10	12	14	19	21	28	34	39	75	95	135	200	255	415	650
TSX543W/TSX43W-600LB																
Size	mm	15	20	25	32	40	50	65	80	100	125	150	200	250	300	350
	in	1/2	3/4	1	1 1/4	1 1/2	2	2 1/2	3	4	5	6	8	10	12	14
L		165	190	216	229	241	292	330	356	432	508	559	660	787	838	889
H		190	195	225	260	280	310	340	395	435	470	535	590	630	680	720
W		180	180	180	220	220	220	250	250	300	350	350	400	500	500	600
Weight		13	14	19	23	25	32	40	55	105	139	300	440	730	1150	1570
TSX543W/TSX43W-900LB																
Size	mm	15	20	25	32	40	50	65	80	100	125	150	200	250	300	350
	in	1/2	3/4	1	1 1/4	1 1/2	2	2 1/2	3	4	5	6	8	10	12	14
L		216	229	254	279	305	368	419	381	457	559	610	737	838	965	1029
H		190	195	225	260	280	310	340	395	435	470	535	590	630	680	720
W		180	180	180	220	220	220	250	250	300	350	350	400	500	500	600
Weight		16	17	26	30	33	39	50	70	137	181	397	590	860	1470	1880



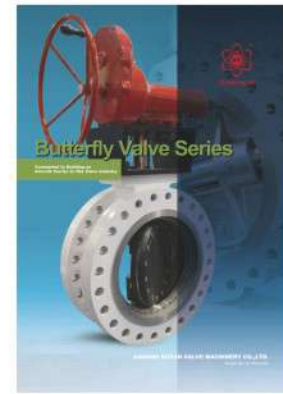
Sample NO: SY-PS-2023



Sample NO: SY-GGC-2023



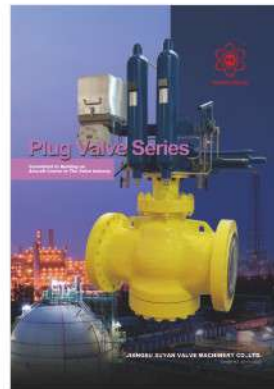
Sample NO: SY-CV-2023



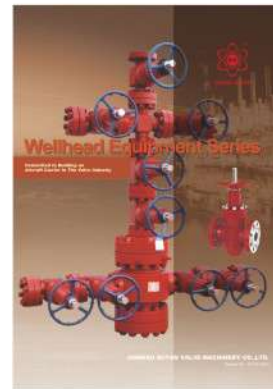
Sample NO: SY-BUV-2023



Sample NO: SY-BAV-2023



Sample NO: SY-PV-2023



Sample NO: SY-WE-2023



Sample NO: SY-GIS-2023



Sample NO: SY-KGV-2024

JIANGSU SUYAN VALVE MACHINERY CO.,LTD.

ADD: No. 28, Century Avenue, North District, Binhai County Industrial Park,
Yancheng City, Jiangsu Province
TEL: 0515-84194555 FAX: 0515-84199808 E-mail: hai977@126.com

www.suyangroup.com