



SUYAN VALVE

Knife Gate Valve Series

Committed to Building an Aircraft Carrier In The Valve Industry



JIANGSU SUYAN VALVE MACHINERY CO.,LTD.

Sample NO.: SY-KGV-2024

SUYAN VALVE



Chairman: Mr. Zhenghai Han
Delegates in Jiangsu People's Congress
Party Representative in Jiangsu Province
Jiangsu Model Worker
Vice-Chairman of China General Machinery Industry Association
Executive Vice president of Jiangsu Valve Industry Association
President of Yancheng Petroleum Machinery Industry Association
Committee Member of National Valve Standardization Technical Committee

Comprehensive Fluid Control Solutions

CONTENT



DIRECTORY

Company Profile	01
Quality Assurance	03
Cast&forged Workshop	05
Data Management	07
Production Equipment	09
Valued Customers	13
Through Conduit Knife Gate Valve	15
Wafer Style Unidirectional Knife Gate Valve	24
VQD Series V-port Segment Ball Valve (Wafer)	34
VQF Series V-port Segment Ball Valve (Flange)	40

COMPANY PROFILE



SUYAN VALVE

The Registered Capital is 310 million RMB,
Total assets of 5 billion RMB,
Covering an area of 80 hectares,
The building area is 320,000 square meters,
Existing staff of 1300 people.



National High-Tech Enterprise,
National Special "Little Giant" Enterprise
National Postdoctoral Research Station,
National Intellectual Property Advantage Enterprise
Provincial Enterprise Technology Center,
Provincial Engineering Research Center
Provincial Graduate Workstation
Jiangsu boutique Enterprise
Qualified Supplier of CNNC

More than 1,000 sets of sophisticated
manufacturing equipment
520 sets of testing equipment
Set up a national laboratory

Developed more than 300 new products
65 national invention patents
310 utility model patents
Participated in the drafting and revision of 43 standards

since 1991



The sales market covers
China End Users PetroChina,
Sinopec, CNOOC and global customers.
Provide fast after-sales service,
distributed all over the country
and around the world.



QUALIFICATION CERTIFICATES



API American Petroleum Institute

REGISTRATION NO. Q1-4037

Certificate of Registration

The American Petroleum Institute certifies that the quality management system of

JIANGSU SUYAN VALVE MACHINERY CO., LTD.
28 Century Avenue, North District
Binhai Industrial Park
Yancheng, Jiangsu
People's Republic of China

has been assessed by the American Petroleum Institute and found to be in conformance with the following:

API Spec Q1, 9th Edition

The scope of this registration and the approved quality management system applies to the

Design, Production and Sales of Wellhead Equipment, Gate, Ball, Check, Butterfly and Globe Valves for the Oil and Gas Industry

API approves the organization's justification for excluding

No Exclusions Identified as Applicable

Effective Date: DECEMBER 28, 2022
Expiration Date: JANUARY 22, 2026
Registered Since: JANUARY 22, 2020

Anchel Liddar
Senior Vice President of Global Industry Services

API Spec Q1 Registered

2024 104 11 21 1 Digit

American Petroleum Institute

Certificate of Authority to use the Official API Monogram

License Number: 6D-1015 ORIGINAL

The American Petroleum Institute hereby grants to

JIANGSU SUYAN VALVE MACHINERY CO., LTD.
28 Century Avenue, North District
Binhai Industrial Park
Yancheng, Jiangsu
People's Republic of China

the right to use the Official API Monogram[®] on manufactured products under the conditions in the official publications of the American Petroleum Institute entitled API Spec Q1[®] and **API-6D** and in accordance with the provisions of the License Agreement.

In all cases where the Official API Monogram is applied, the API Monogram shall be used in conjunction with this certificate number: **6D-1015**

The American Petroleum Institute reserves the right to revoke this authorization to use the Official API Monogram for any reason satisfactory to the Board of Directors of the American Petroleum Institute.

The scope of this license includes the following: Gate Valves, Ball Valves, Check Valves

QMS Exclusions: No Exclusions Identified as Applicable

Effective Date: JANUARY 22, 2023
Expiration Date: JANUARY 22, 2026

Anchel Liddar
Senior Vice President of Global Industry Services

To verify the authenticity of this license, go to www.api.org/comprohibit.

American Petroleum Institute

Certificate of Authority to use the Official API Monogram

License Number: 600-0189 ORIGINAL

The American Petroleum Institute hereby grants to

JIANGSU SUYAN VALVE MACHINERY CO., LTD.
28 Century Avenue, North District
Binhai Industrial Park
Yancheng, Jiangsu
People's Republic of China

the right to use the Official API Monogram[®] on manufactured products under the conditions in the official publications of the American Petroleum Institute entitled API Spec Q1[®] and **API-600** and in accordance with the provisions of the License Agreement.

In all cases where the Official API Monogram is applied, the API Monogram shall be used in conjunction with this certificate number: **600-0189**

The American Petroleum Institute reserves the right to revoke this authorization to use the Official API Monogram for any reason satisfactory to the Board of Directors of the American Petroleum Institute.

The scope of this license includes the following: Bolted Bonnet Steel Gate Valves

QMS Exclusions: No Exclusions Identified as Applicable

Effective Date: JANUARY 22, 2023
Expiration Date: JANUARY 22, 2026

Anchel Liddar
Senior Vice President of Global Industry Services

To verify the authenticity of this license, go to www.api.org/comprohibit.

American Petroleum Institute

Certificate of Authority to use the Official API Monogram

License Number: 602-0100 ORIGINAL

The American Petroleum Institute hereby grants to

JIANGSU SUYAN VALVE MACHINERY CO., LTD.
28 Century Avenue, North District
Binhai Industrial Park
Yancheng, Jiangsu
People's Republic of China

the right to use the Official API Monogram[®] on manufactured products under the conditions in the official publications of the American Petroleum Institute entitled API Spec Q1[®] and **API-602** and in accordance with the provisions of the License Agreement.

In all cases where the Official API Monogram is applied, the API Monogram shall be used in conjunction with this certificate number: **602-0100**

The American Petroleum Institute reserves the right to revoke this authorization to use the Official API Monogram for any reason satisfactory to the Board of Directors of the American Petroleum Institute.

The scope of this license includes the following: Check Valves - DN 100 (NPS 4) and Smaller, Globe Valves - DN 100 (NPS 4) and Smaller, Gate Valves - DN 100 (NPS 4) and Smaller

QMS Exclusions: No Exclusions Identified as Applicable

Effective Date: JANUARY 22, 2023
Expiration Date: JANUARY 22, 2026

Anchel Liddar
Senior Vice President of Global Industry Services

To verify the authenticity of this license, go to www.api.org/comprohibit.

American Petroleum Institute

Certificate of Authority to use the Official API Monogram

License Number: 6A-1098 ORIGINAL

The American Petroleum Institute hereby grants to

JIANGSU SUYAN VALVE MACHINERY CO., LTD.
28 Century Avenue, North District
Binhai Industrial Park
Yancheng, Jiangsu
People's Republic of China

the right to use the Official API Monogram[®] on manufactured products under the conditions in the official publications of the American Petroleum Institute entitled API Spec Q1[®] and **API-6A** and in accordance with the provisions of the License Agreement.

In all cases where the Official API Monogram is applied, the API Monogram shall be used in conjunction with this certificate number: **6A-1098**

The American Petroleum Institute reserves the right to revoke this authorization to use the Official API Monogram for any reason satisfactory to the Board of Directors of the American Petroleum Institute.

The scope of this license includes the following: Chokes, Cross-Over Connectors, Blind and Test Flanges, Tees and Crosses, Top Connectors, Mandrel-Type Hangers, Gate, Ball, Plug Valves at PSL 1, PSL 2, PSL 3

QMS Exclusions: No Exclusions Identified as Applicable

Effective Date: JANUARY 22, 2023
Expiration Date: JANUARY 22, 2026

Anchel Liddar
Senior Vice President of Global Industry Services

To verify the authenticity of this license, go to www.api.org/comprohibit.

American Petroleum Institute

Certificate of Authority to use the Official API Monogram

License Number: 608-0065 ORIGINAL

The American Petroleum Institute hereby grants to

JIANGSU SUYAN VALVE MACHINERY CO., LTD.
28 Century Avenue, North District
Binhai Industrial Park
Yancheng, Jiangsu
People's Republic of China

the right to use the Official API Monogram[®] on manufactured products under the conditions in the official publications of the American Petroleum Institute entitled API Spec Q1[®] and **API-608** and in accordance with the provisions of the License Agreement.

In all cases where the Official API Monogram is applied, the API Monogram shall be used in conjunction with this certificate number: **608-0065**

The American Petroleum Institute reserves the right to revoke this authorization to use the Official API Monogram for any reason satisfactory to the Board of Directors of the American Petroleum Institute.

The scope of this license includes the following: Metal Ball Valves

QMS Exclusions: No Exclusions Identified as Applicable

Effective Date: DECEMBER 28, 2022
Expiration Date: JANUARY 22, 2026

Anchel Liddar
Senior Vice President of Global Industry Services

To verify the authenticity of this license, go to www.api.org/comprohibit.

American Petroleum Institute

Certificate of Authority to use the Official API Monogram

License Number: 609-0144 ORIGINAL

The American Petroleum Institute hereby grants to

JIANGSU SUYAN VALVE MACHINERY CO., LTD.
28 Century Avenue, North District
Binhai Industrial Park
Yancheng, Jiangsu
People's Republic of China

the right to use the Official API Monogram[®] on manufactured products under the conditions in the official publications of the American Petroleum Institute entitled API Spec Q1[®] and **API-609** and in accordance with the provisions of the License Agreement.

In all cases where the Official API Monogram is applied, the API Monogram shall be used in conjunction with this certificate number: **609-0144**

The American Petroleum Institute reserves the right to revoke this authorization to use the Official API Monogram for any reason satisfactory to the Board of Directors of the American Petroleum Institute.

The scope of this license includes the following: Butterfly Valves - Category B

QMS Exclusions: No Exclusions Identified as Applicable

Effective Date: JANUARY 22, 2023
Expiration Date: JANUARY 22, 2026

Anchel Liddar
Senior Vice President of Global Industry Services

To verify the authenticity of this license, go to www.api.org/comprohibit.

API-REGISTRATION

- API-6D
- API-6A
- API-600
- API-602
- API-608
- API-609
- API-5CT
- API-594

American Petroleum Institute

Certificate of Authority to use the Official API Monogram

License Number: SCT-2295 ORIGINAL

The American Petroleum Institute hereby grants to

JIANGSU SUYAN VALVE MACHINERY CO., LTD.
28 Century Avenue, North District
Binhai Industrial Park
Yancheng, Jiangsu
People's Republic of China

the right to use the Official API Monogram[®] on manufactured products under the conditions in the official publications of the American Petroleum Institute entitled API Spec Q1[®] and **API-SCT** and in accordance with the provisions of the License Agreement.

In all cases where the Official API Monogram is applied, the API Monogram shall be used in conjunction with this certificate number: **SCT-2295**

The American Petroleum Institute reserves the right to revoke this authorization to use the Official API Monogram for any reason satisfactory to the Board of Directors of the American Petroleum Institute.

The scope of this license includes the following: Manufacturer of Casing or Tubing Plug Joints N80(1), PSL 1

QMS Exclusions: Design and Development

Effective Date: DECEMBER 11, 2023
Expiration Date: JANUARY 22, 2026

Anchel Liddar
Senior Vice President of Global Industry Services

To verify the authenticity of this license, go to www.api.org/comprohibit.

American Petroleum Institute

Certificate of Authority to use the Official API Monogram

License Number: 594-0025 ORIGINAL

The American Petroleum Institute hereby grants to

JIANGSU SUYAN VALVE MACHINERY CO., LTD.
28 Century Avenue, North District
Binhai Industrial Park
Yancheng, Jiangsu
People's Republic of China

the right to use the Official API Monogram[®] on manufactured products under the conditions in the official publications of the American Petroleum Institute entitled API Spec Q1[®] and **API-594** and in accordance with the provisions of the License Agreement.

In all cases where the Official API Monogram is applied, the API Monogram shall be used in conjunction with this certificate number: **594-0025**

The American Petroleum Institute reserves the right to revoke this authorization to use the Official API Monogram for any reason satisfactory to the Board of Directors of the American Petroleum Institute.

The scope of this license includes the following: Check Valves - Type B, Check Valves - Type A

QMS Exclusions: No Exclusions Identified as Applicable

Effective Date: JANUARY 22, 2023
Expiration Date: JANUARY 22, 2026

Anchel Liddar
Senior Vice President of Global Industry Services

To verify the authenticity of this license, go to www.api.org/comprohibit.

QUALITY ASSURANCE



Detection test project is complete

SUYAN sequent imported production line such as most advanced digital control workstation, touchable induction three-coordinate digital instrument (made in USA), portable spectrum analyzer, ultra-low temperature detecting system, vacuum & micro-leakage detecting system and NDT instrument including ultrasonic detector etc. the advanced equipment and professional QC inspector jointly guarantee the high quality of product.



CAST&FORGED WORKSHOP



As one of the pressure-bearing equipment for fluid control pipelines, the quality of valve body is the most important for the life and personnel environmental safety, especially in the conditions of high temperature and pressure. Therefore, valves are always critical. The customer needs to pre-quality the first certified material before approving the valve manufacturer as a cooperative supplier.



Casting production line

Coated sand production line



DATA MANAGEMENT



Automatic
Production
Line

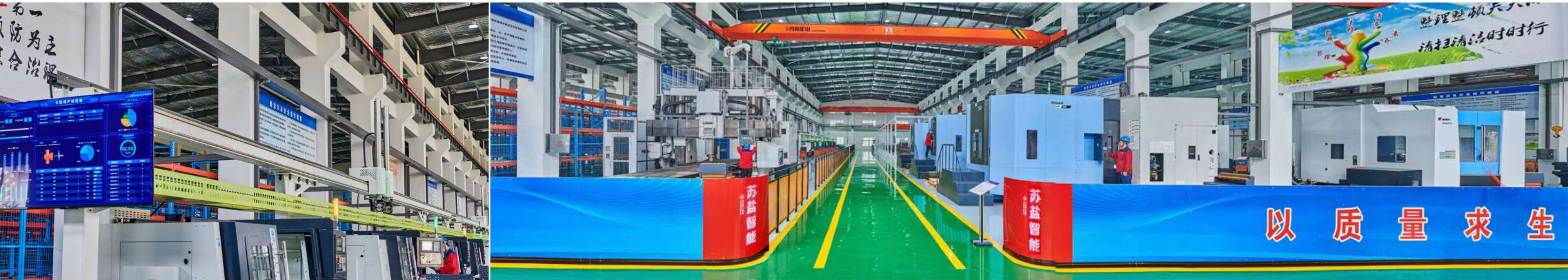


The advanced hard facilities ensure
SUYAN to be at best position during
market competition.

MES
Management
System



PRODUCTION EQUIPMENT

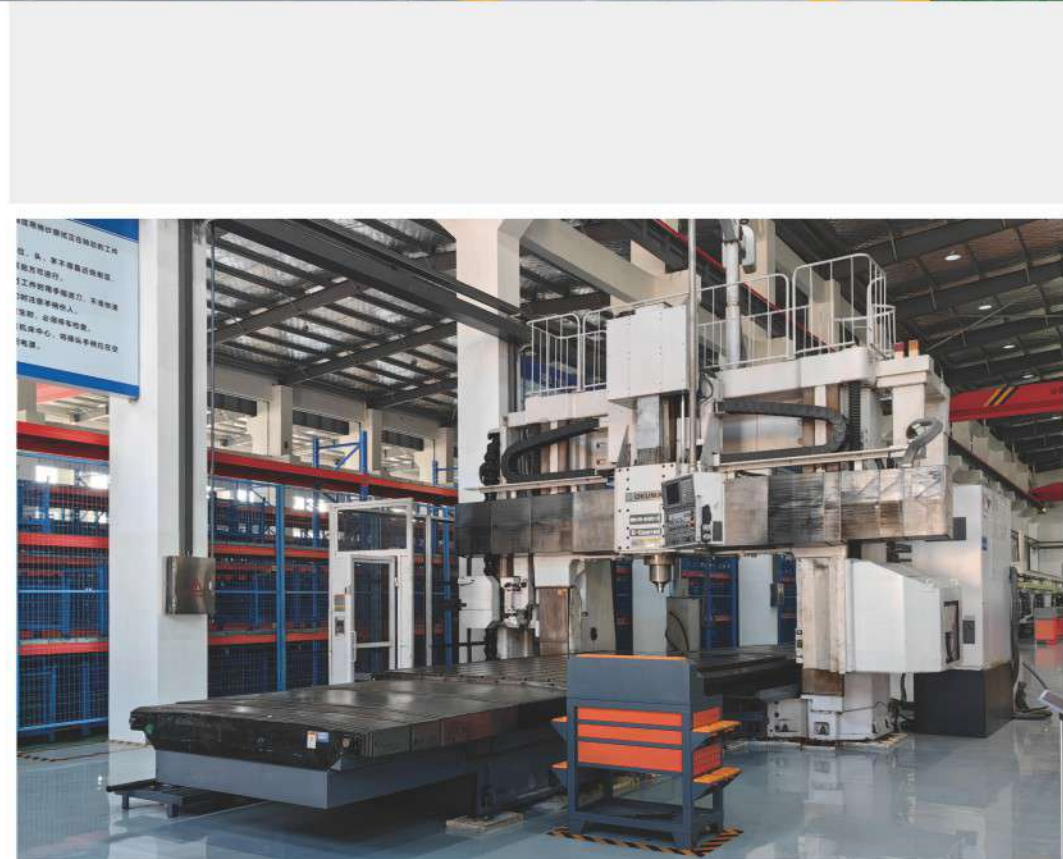


SUYAN is fitted with precise numerical control machine tools and processing center, advanced equipment testing instruments, superior technology, consummate quality control system, professional elite and outstanding scientific research team. We fully use technology, new workmanship and new materials to ensure the dependability of products.

MACHINING CENTER



PRODUCTION EQUIPMENT



Fully CNC Automation

Fully CNC, automatic production process to bring high precision, high quality stable and reliable products High-tech equipment, professional team, to ensure excellent product quality

VALUED CUSTOMERS



RESOURCES GAS	TIANLI GAS	PETROBRAS	SINOPEC ENGINEERING
WISON	ENERGAS	SHAANGU	WISON
XINHUA CHEMICAL	FURUI SE	CNMIC	HGMRI
TCC	DATANG ENERGY	CTCI	SABIC
BAYER	LIAHERD	CNWG	ZJ UNIVERSITY

We Have Provided Matching Service For Many National And Foreign Stress Projects

Quality engineering long-lasting quality

Under many years brand operating and aborative exercising, the strength and credit of company are increasing steadily, at present SuYan has been China petrifaction group material equipment company; China petrol & natural gas group company; China Aluminum Group company and the pointing member unit of China Sea Petroleum, metallurgy and steel-making, electricity system. SuYan brand series valves are sold to such over 10 countries and areas, welcomed by vast customers.

SINOPEC	CNPC	SNPTC	CNOOC	SINOCHEN	CHEMCHINA	
CSSC	CGDC	CRECG	CHALCO	CHINA XD	SHENHUA GROUP	CHINAGAS
CMCC	SINOPHARM	BAOSTEEL	BAOGANG GROUP	ANGANG STEEL	SHOUGANG STEEL	BEIJING GAS
BEIJING GAS	XINAO GAS	TOWNGAS	GUANGZHOU GAS	SHANGHAI GAS	XINJIANG GAS	SHENYANG GAS



KNIFE GATE VALVE

Description

The CP series through conduit knife gate valve is a bi-directional wafer knife gate valve. It is mainly designed for highly concentrated flow media. With a through going O-port plate, this valve provides a stable and safe shut-off performance without clogging. With double-seat design, it can handle flow in both directions.



KNIFE GATE VALVE

TECHNICAL DATA

Size: DN50 to DN600 (larger diameters on request)

WORKING PRESSURE

DN 50 to DN250	10 Bar	NPS 2-10	150 psi
DN 300 to DN450	7 Bar	NPS 12-18	90 psi
DN 500 to DN600	4 Bar	NPS 20-24	60 psi
DN 700 to DN1200	2 Bar	NPS 28-52	30 psi

TANDARD FLANGE CONNECTION

EN1092	GB/T 9113
ASME B16.5	AS 2129/4087
JIS B2220	Others on request

APPLICATION:

Pulp and Paper/ Mining /Waste Water Treatment/ Food and Beverage/
Chemical Plants/ Power Plants/ Steel Industry/Etc.

KNIFE GATE VALVE

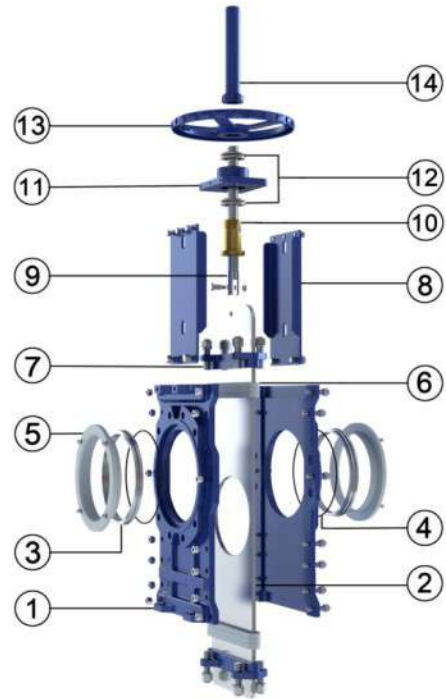


KNIFE GATE VALVE



STANDARD PART LIST

NO.	Part name	WCB	CF8	CF8M
1.	Body	WCB	CF8	CF8M
2.	Gate	304	304	316
3.	Seat	Metal/Metal or EPDM		
4.	O-ring	NBR		
5.	Seat Retainer	WCB	CF8	CF8M
6.	Packing	PTFE		
7.	Gland	WCB	CF8	CF8M
8.	Yoke	Q235	304	304
9.	Stem	2Cr13	2Cr13	2Cr13
10.	Stem Nut	Brass	Brass	Brass
11.	Bearing Housing	WCB	WCB	WCB
12.	Thrust Bearing	65#Mn		
13.	Hand wheel	GGG30 (Epoxy Coated)		
14.	Stem Protector	304	304	304
15.	Fasteners	A2-70	A2-70	A4-70



Note: Hand wheel nut is available for valve without stem protector. Non-stainless parts are epoxy coated.

BODY:

Split-body design with machined inner body, avoids adhesion of media in body cavity.
Full port design minimizes pressure drop and maximizes flow capacity.
Packing at both top and bottom eliminates leakage to surrounding.

GATE:

Though gate with o-port cut through a disc of media down when closing and return this portion back when opening.
Gate thickness can be increased to meet higher pressure.
Gate surface is well polished at both sides for tight seal and less jamming.
Gate is hard chrome coated for metal sealing valve.

SEAT:

Side-entry seat is replaceable, reducing the cost of maintenance.
L-shape seat retainer locks seat into valve body and covers seat side to prevent direct flow flushing.
With seats on both sides, valve can handle flow in both directions equally.

OTHER:

Stem cover is available to ensure long service life of stem.
Two thrust bearings minimizes torque
Grease nipple is available for bearing lubrication.



ACTUATOR OPTIONS

Manual	Automatic
Hand wheel	Electric
Bevel Gear	Pneumatic (single & double-acting)
Chain wheel	Hydraulic
Lever	

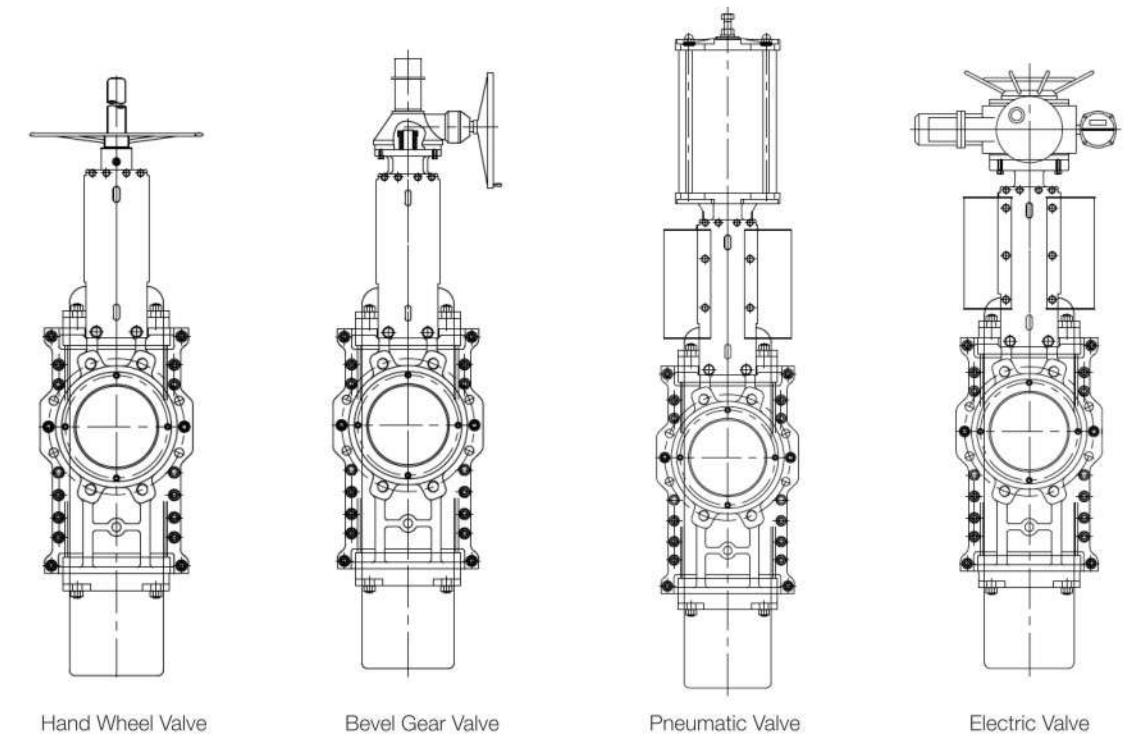
Note: for other options, please contact us for availability.

ACCESSORIES

Actuator manual override	Locking device
Stem Extensions	Solenoid valves
Positioners	Limit
Proximity Switches	Switches
	ISO Mount

OTHER OPTIONS

V-PORT	Fabricated Valve
Semi lug design	Other materials for valve



KNIFE GATE VALVE



SUYAN VALVE

DIMENSION I – HAND WHEEL OPERATED VALVE (RISING STEM)

Standard Manual Actuator

Including:

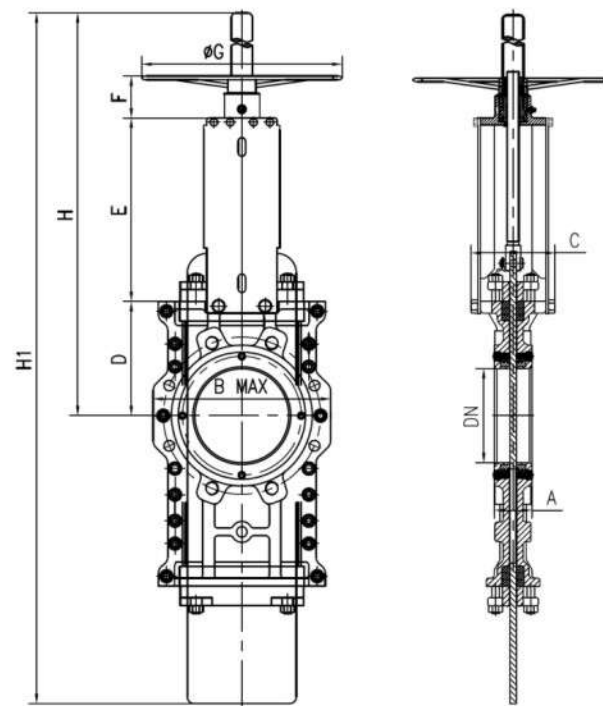
- Hand Wheel
- Stem
- Stem Nut

Size Range:

- DN50-DN400
- Gear box is suggested for size \geq DN 350

Options:

- Stem Cover
- Side Cover for gate safety
- Rod-type Yoke
- Locking Device
- Stem Extension



DN	A	B	C	D	E	F	G	H	H1	Weight (kg)
50	48	140	106	100	129	85	180	340	530	15
65	48	175	106	135	147	85	180	420	710	17
80	51	185	106	145	168	85	200	480	810	23
100	51	220	106	150	192	85	200	520	850	24
125	57	195	120	170	215	87	250	590	1000	35
150	57	225	130	175	245	87	280	650	1100	41
200	70	280	130	215	302	105	300	800	1380	68
250	70	356	140	270	355	105	350	960	1670	84
300	76	405	160	310	401	105	400	1100	1950	118
350	76	480	180	330	465	117	450	1250	2200	177
400	89	530	180	375	511	117	450	1460	2780	230

KNIFE GATE VALVE



SUYAN VALVE

DIMENSION II – BEVEL GEAR OPERATED VALVE

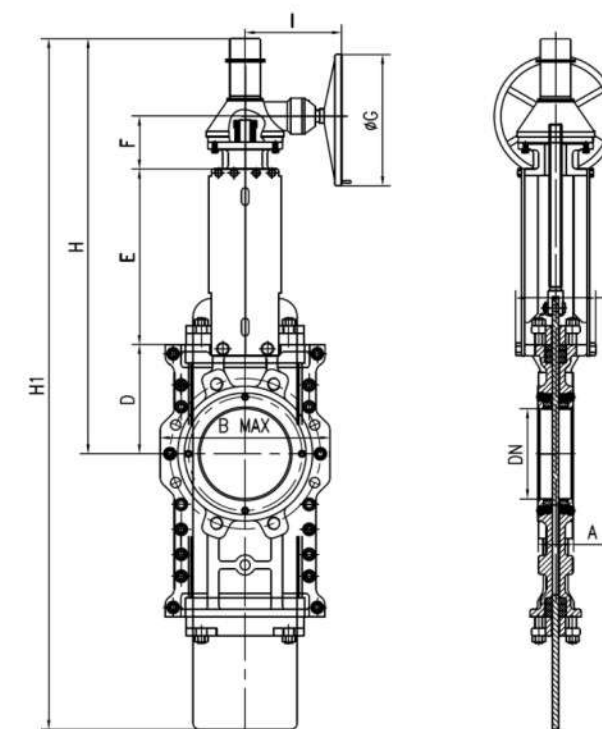
Mainly applied to valve size \geq DN350

Including:

- Gear box (Standard Ratio: 4.5:1) with hand wheel
- Stem
- Stem Protector

Options:

- Locking Device
- Extensions
- Chain wheel



DN	A	B	C	D	E	F	G	H	H1	I	Weight (kg)
200	70	280	130	215	302	105	310	620	1400	150	93
250	70	356	140	270	355	105	310	740	1710	150	115
300	76	405	160	310	401	105	310	830	2000	170	150
350	76	480	180	330	465	117	310	930	2260	170	210
400	89	530	180	375	511	117	310	1090	2730	170	270
450	89	610	240	420	580	100	460	1180	2820	233	380
500	114	650	270	465	640	100	460	1450	3400	233	470
600	114	805	270	500	740	100	460	1850	4120	233	580

KNIFE GATE VALVE



DIMENSION III-DOUBLE ACTING PNEUMATIC VALVE

Standard DA pneumatic actuator includes

- ≤DN200: Aluminum Cylinder
- ≥DN250: WCB cylinder (Epoxy Coated)
- WCB caps (Epoxy Coated)
- #45 Steel+Cr Piston Rod

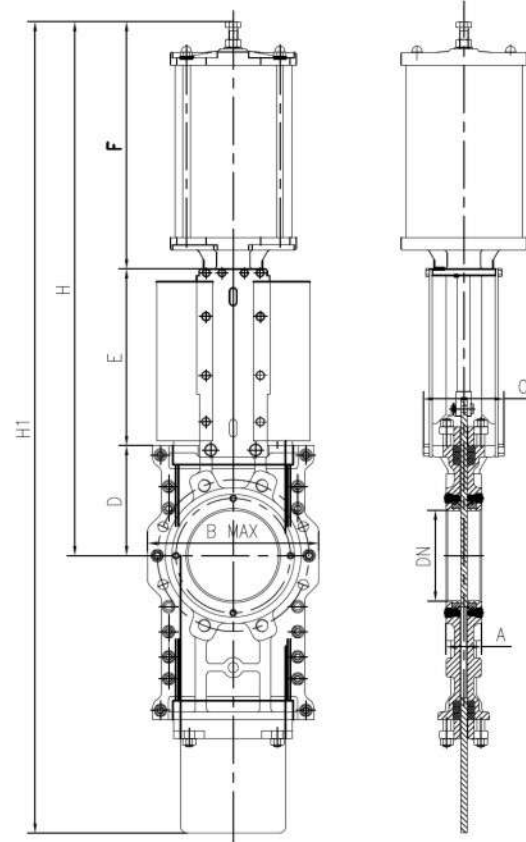
Size Range: DN50-DN600

Air Supply Pressure Range

4 bar to 7bar.

Options:

- Gate cover for safe operation
- Manual override
- Locking Device
- Air tank for fail-safe operation
- Limit Switch
- Positioner
- Solenoid Valve
- Flow Regulator



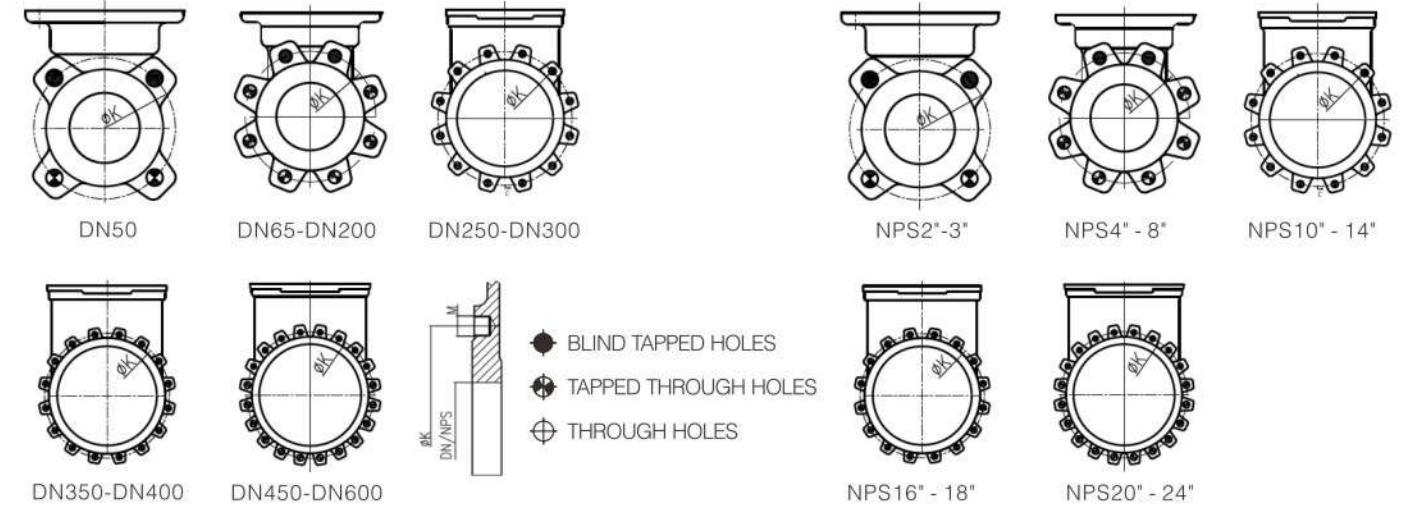
DN	A	B	C	D	E	F	G	H	H1	Cylinder	Connect	Weight (kg)
50	48	140	106	100	129	230	100	475	665	C100/60	F1/4	18
65	48	175	106	135	147	245	100	540	895	C100/75	F1/4	22
80	51	185	106	145	168	270	120	570	915	C125/85	F1/4	28
100	51	220	106	150	192	300	120	605	925	C125/110	F1/4	32
125	57	195	120	170	215	330	150	620	940	C160/135	F3/8	43
150	57	225	130	175	245	350	150	775	1220	C160/160	F3/8	52
200	70	280	130	215	302	440	195	950	1510	C200/210	F3/8	91
250	70	356	140	270	355	505	240	1165	1875	C250/260	F3/8	115
300	76	405	160	310	401	550	280	1285	2110	C300/310	F3/8	158
350	76	480	180	330	465	620	380	1385	2330	C300/360	F3/8	260
400	89	530	180	375	511	670	395	1530	2600	C320/410	F3/8	350
450	89	610	240	420	580	710	395	1780	2965	C320/460	F3/8	410
500	114	650	270	465	640	800	425	1915	3265	C350/510	F3/8	520
600	114	805	270	500	740	910	425	2190	3860	C350/610	F3/8	710

KNIFE GATE VALVE



SUYAN VALVE

DIMENSION V – FLANGE AND BOLTING



EN 1092

DN	K	n°	M	T	● ⊕ ⊗
50	125	4	M-16	11	2-2-2
65	145	4	M-16	11	2-2-2
80	160	8	M-16	11	2-6-6
100	180	8	M-16	11	2-6-6
125	210	8	M-16	11	2-6-6
150	240	8	M-20	14	2-6-6
200	295	8	M-20	14	2-6-6
250	350	12	M-20	18	4-8-8
300	400	12	M-20	18	4-8-8
350	460	16	M-20	22	6-10-10
400	515	16	M-24	24	6-10-10
450	565	20	M-24	24	8-12-12
500	620	20	M-24	24	8-12-12
600	725	20	M-24	24	8-12-12

ANSI B16.5

DN	K	n°	M	T	● ⊕ ⊗
2"	4 3/4"	4	5/8" UNC	3/8"	2-2-2
2 1/2"	5 1/2"	4	5/8" UNC	3/8"	2-2-2
3"	6"	8	5/8" UNC	3/8"	2-2-2
4"	7 1/2"	8	5/8" UNC	3/8"	2-6-6
5"	8 1/2"	8	3/4" UNC	3/8"	2-6-6
6"	9 1/2"	8	3/4" UNC	1/2"	2-6-6
8"	11 1/2"	8	3/4" UNC	1/2"	2-6-6
10"	14 1/2"	12	7/8" UNC	3/4"	4-8-8
12"	17"	12	7/8" UNC	3/4"	4-8-8
14"	18 1/2"	16	1" UNC	7/8"	4-8-8
16"	21 1/2"	16	1" UNC	1"	6-10-10
18"	22 1/2"	20	1 1/8" UNC	1"	6-10-10
20"	25"	20	1 1/8" UNC	1"	8-12-12
24"	29 1/2"	20	1 1/8" UNC	1"	8-12-12



APPENDIX – ACTUATOR SELECTION DATA

DN	Thrust (N)	Torque (N*M)	# of Turns	Stem Size
50	2800	68	15	Tr20*4 LH
65	3300	89	18	Tr20*4 LH
80	3800	98	23	Tr20*4 LH
100	4430	105	28	Tr20*4 LH
125	5321	165	28	Tr22*5 LH
150	7730	195	33	Tr22*5 LH
200	13000	303	37	Tr28*6 LH
250	18800	505	45	Tr28*6 LH
300	27100	547	52	Tr28*6 LH
350	29000	765	60	Tr32*6 LH
400	31000	965	69	Tr32*6 LH
450	36500	1366	66	Tr35*6 LH
500	38900	1618	73	Tr40*7 LH
600	43700	2058	88	Tr40*7 LH

Note: Thrust and Torque data are reference for normal application, for specific conditions, please contact us for further support.



KNIFE GATE VALVE

Description

The NP series knife gate is a unidirectional wafer valve used on industrial pipeline for on-off operation. The unique valve structure eliminates potential clogging shutoff when the valve is dealing with flow with particles. Beveled knife gate design also generates great shear stress for easy flow penetration.



KNIFE GATE VALVE



TECHNICAL DATA

Size: DN50 to DN600 (larger diameters on request)

WORKING PRESSURE

DN 50 to DN250	10 Bar	NPS 2-10	150 psi
DN 300 to DN450	7 Bar	NPS 12-18	90 psi
DN 500 to DN600	4 Bar	NPS 20-24	60 psi

TANDARD FLANGE CONNECTION

EN1092	GB/T 9113
ASME B16.5	AS 2129/4087
JIS B2220	Others on request

APPLICATION:

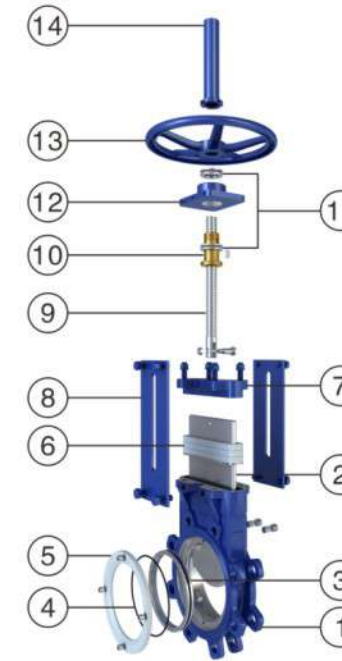
Pulp and Paper/ Mining /Waste Water Treatment/ Food and Beverage/Chemical Plants/ Power Plants / Steel Industry /Etc.

KNIFE GATE VALVE



STANDARD PART LIST

NO.	Part name	WCB	CF8	CF8M
1.	Body	WCB	CF8	CF8M
2.	Gate	304	304	316
3.	Seat	Metal/Metal or EPDM		
4.	O-ring	NBR		
5.	Seat Retainer	WCB	CF8	CF8M
6.	Packing	PTFE		
7.	Gland	WCB	CF8	CF8M
8.	Yoke	Q235	304	304
9.	Stem	2Cr13	2Cr13	2Cr13
10.	Stem Nut	Brass	Brass	Brass
11.	Thrust Bearing	65#Mn	65#Mn	65#Mn
12.	Bearing Housing	WCB	WCB	WCB
13.	Hand wheel	GGG30 (Epoxy Coated)		
14.	Stem Protector	304	304	304
15.	Fasteners	A2-70	A2-70	A4-70



Note: Hand wheel nut is available for valve without stem protector. Non-stainless parts are epoxy coated.

BODY:

Cast-in guide claws at the port bottom for gate fixture, instead of a groove, eliminates potential valve shutoff clogging while providing tighter seal. The guide claws also push gate to seat for tight seal in closed position.
Integral body design ensures easy assembly and 0 shell leakage.
Full port design minimizes pressure drop and maximize flow capacity.
PTFE resilient points against gate eliminate metal-metal contact between gate and body.

GATE:

Beveled knife edge provides strong cutting stress and tight sealing.
Gate thickness can be increased to meet higher pressure.
Gate surface is well polished at both sides for tight seal and less jamming.
Gate is hard chrome coated for metal sealing valve.

SEAT:

Side-entry seat is replaceable, reducing the cost of maintenance.
L-shape seat retainer locks seat into valve body and covers seat side to prevent direct flow flushing.

OTHER:

Stem cover is available to ensure long service life for stem.
Two thrust bearings minimizes torque for operation.
Grease nipple is available to ease bearing lubrication.



KNIFE GATE VALVE



SUYAN VALVE

ACTUATOR OPTIONS

Manual	Automatic
Hand wheel (Rising & Non-rising Stem)	Electric
Bevel Gear	Pneumatic (single & double-acting)
Chain wheel	Hydraulic
Lever	

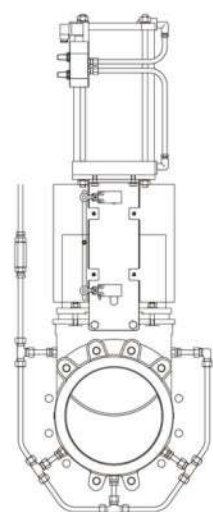
Note: for other options, please contact us for availability.

ACCESSORIES

Actuator manual override	Locking device
Stem Extensions	Solenoid valves
Positioners	Limit Switches
Proximity Switches	ISO Mount

OTHER OPTIONS

V-PORT	Fabricated Valve
Deflection Cone	Semi lug design
Flushing Port	Other materials for valve



KNIFE GATE VALVE



SUYAN VALVE

DIMENSION I – HAND WHEEL OPERATED VALVE (RISING STEM)

Standard Manual Actuator

Including:

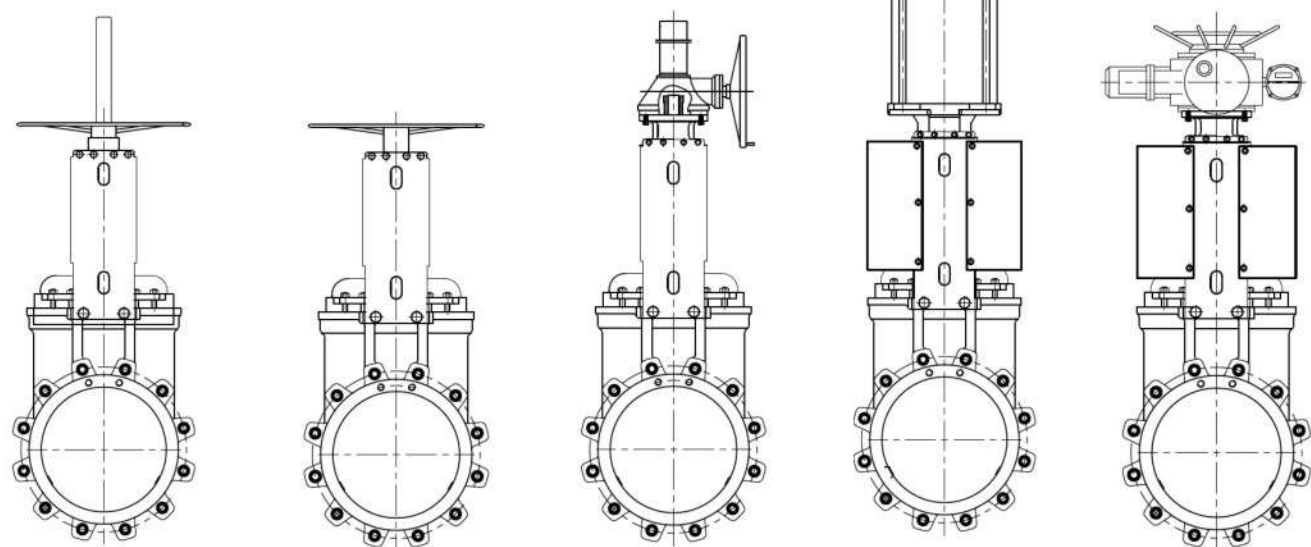
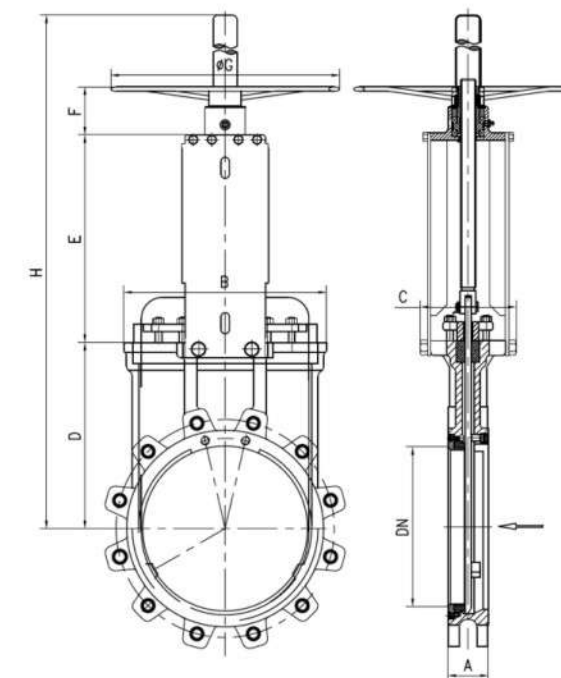
- Hand Wheel
- Stem
- Stem Nut

Size Range:

- DN50-DN400
- Gear box is suggested for size \geq DN 450

Options:

- Stem Cover
- Side Cover for gate safety
- Plate-type Yoke
- Locking Device
- Extensions



Rising Stem Valve

Non-rising Stem Valve

Bevel Gear Valve

Pneumatic Valve

Electric Valve

DN	A	B	C	D	E	F	G	H	Weight (kg)
50	48	135	106	100	129	85	180	395	9
65	48	155	106	115	147	85	180	436	11
80	51	175	106	121	168	85	200	478	12
100	51	163	106	138	192	85	200	545	16
125	57	192	120	160	215	87	250	630	20
150	57	216	130	185	245	87	280	705	25
200	70	271	130	235	302	105	300	890	43
250	70	335	140	300	355	105	350	1065	62
300	76	381	160	350	401	105	400	1200	78
350	76	436	180	400	465	117	450	1375	112
400	89	505	180	455	511	117	450	1525	154

KNIFE GATE VALVE



DIMENSION I L – HAND WHEEL OPERATED VALVE (NON-RISING STEM)

Application: For the installation where space is limited

Including:

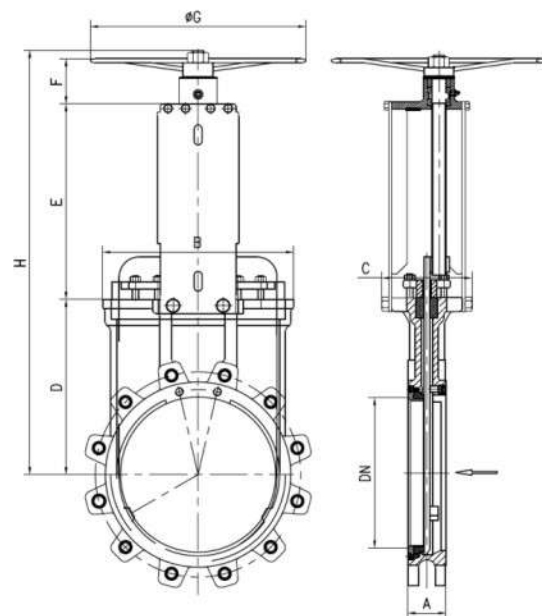
- Hand Wheel
- Stem
- Stem Nut (fixed to gate)

Size Range:

- DN50-DN400
- Gear box is suggested for size \geq DN 450

Options:

- Stem Cover
- Locking Device
- Extensions
- Bare Shaft



DN	A	B	C	D	E	F	G	H	Weight (kg)
50	48	135	106	100	129	85	180	315	9
65	48	155	106	115	147	85	180	350	11
80	51	175	106	121	168	85	200	375	12
100	51	163	106	138	192	85	200	415	16
125	57	192	120	160	215	87	250	465	20
150	57	216	130	185	245	87	280	520	25
200	70	271	130	235	302	105	300	645	43
250	70	335	140	300	355	105	350	760	62
300	76	381	160	350	401	105	400	860	78
350	76	436	180	400	465	117	450	982	112
400	89	505	180	455	511	117	450	1083	154

KNIFE GATE VALVE



DIMENSION III – BEVEL GEAR OPERATED VALVE

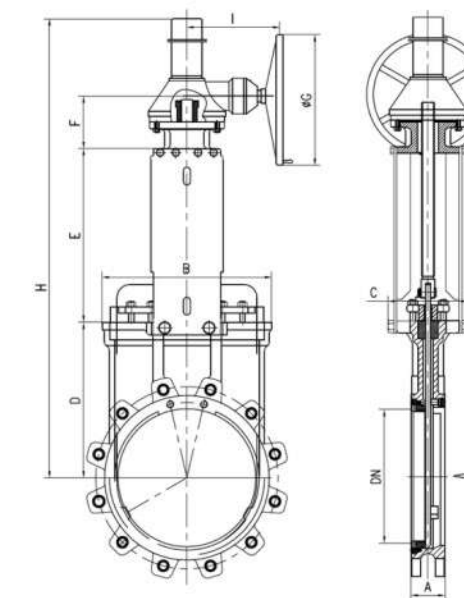
Application: For the installation where space is limited

Including:

- Gear box (Standard Ratio: 4:5:1) with hand wheel
- Stem
- Stem Protector

Options:

- Locking Device
- Extension
- Chain wheel
- Rising/Non-rising Stem type



DN	A	B	C	D	E	F	G	H	I	Weight (kg)
200	70	271	130	235	302	105	310	1065	150	60
250	70	335	140	300	355	105	310	1230	150	88
300	76	381	160	350	401	105	310	1415	170	103
350	76	436	180	400	465	117	310	1590	170	163
400	89	505	180	455	511	117	310	1740	170	204
450	89	550	240	510	580	178	460	1810	233	238
500	114	600	270	560	640	178	460	1950	233	265
600	114	700	270	650	740	178	460	2205	233	300

KNIFE GATE VALVE



SUYAN VALVE

STANDARD DA PNEUMATIC ACTUATOR INCLUDING:

Standard DA pneumatic actuator includes

- ≤DN200: Aluminum Cylinder
- ≥DN250: WCB cylinder (Epoxy Coated)
- WCB caps (Epoxy WCB caps (Epoxy Coated)
- #45 Steel+Cr Piston Rod

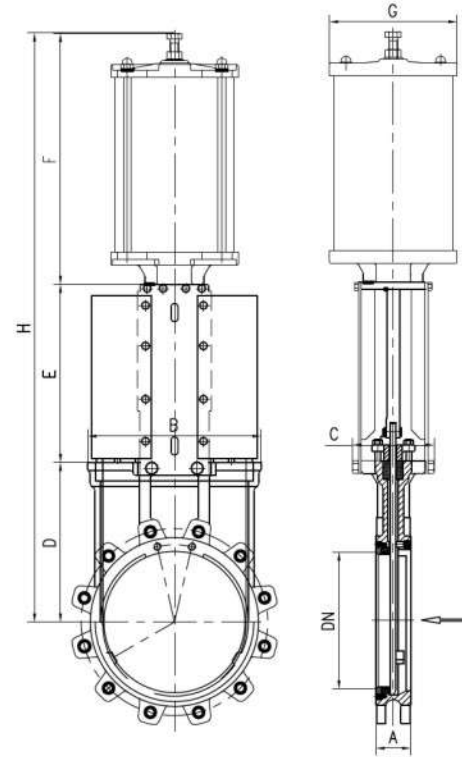
Size Range: DN50-DN600

Air Supply Pressure Range

4 bar to 7bar.

Options:

- Gate cover for safe operation
- Manual override
- Locking Device
- Air tank for fail-safe operation
- Limit Switch
- Positioner
- Solenoid Valve
- Flow Regulator



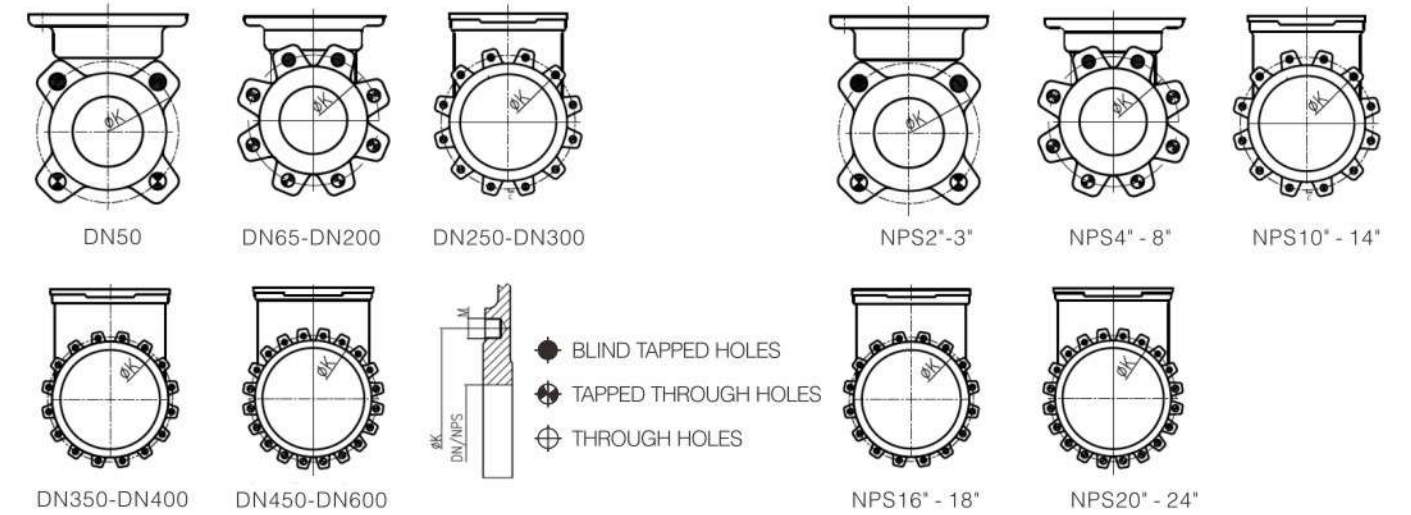
DN	A	B	C	D	E	F	G	H	Cylinder	Connect	Weight (kg)
50	48	135	106	100	129	129	100	460	C80/60	F1/4	15
65	48	155	106	115	147	147	100	510	C80/75	F1/4	17
80	51	175	106	121	168	168	120	560	C100/85	F1/4	18
100	51	163	106	138	192	192	120	630	C100/100	F1/4	22
125	57	192	120	160	215	215	150	705	C125/135	F1/4	29
150	57	216	130	185	245	245	150	780	C125/160	F1/4	34
200	70	271	130	235	302	302	195	980	C160/210	F3/8	69
250	70	335	140	300	355	355	240	1160	C200/260	F3/8	101
300	76	381	160	350	401	401	280	1300	C250/310	F3/8	138
350	76	436	180	400	465	465	380	1485	C250/360	F3/8	210
400	89	505	180	455	511	511	395	1640	C300/410	F3/8	250
450	89	550	240	510	580	580	395	1800	C300/460	F3/8	310
500	114	600	270	560	640	640	425	2000	C320/510	F3/8	347
600	114	700	270	650	740	740	425	2300	C320/610	F3/8	392

KNIFE GATE VALVE



SUYAN VALVE

DIMENSION V – FLANGE AND BOLTING DETAILS



EN 1092

DN	K	n°	M	T	● ⊕ ⊗
50	125	4	M-16	11	2-2-2
65	145	4	M-16	11	2-2-2
80	160	8	M-16	11	2-6-6
100	180	8	M-16	11	2-6-6
125	210	8	M-16	11	2-6-6
150	240	8	M-20	14	2-6-6
200	295	8	M-20	14	2-6-6
250	350	12	M-20	18	4-8-8
300	400	12	M-20	18	4-8-8
350	460	16	M-20	22	6-10-10
400	515	16	M-24	24	6-10-10
450	565	20	M-24	24	8-12-12
500	620	20	M-24	24	8-12-12
600	725	20	M-27	24	8-12-12

ANSI B16.5

DN	K	n°	M	T	● ⊕ ⊗
2"	4 3/4"	4	5/8" UNC	3/8"	2-2-2
2 1/2"	5 1/2"	4	5/8" UNC	3/8"	2-2-2
3"	6"	8	5/8" UNC	3/8"	2-2-2
4"	7 1/2"	8	5/8" UNC	3/8"	2-6-6
5"	8 1/2"	8	3/4" UNC	3/8"	2-6-6
6"	9 1/2"	8	3/4" UNC	1/2"	2-6-6
8"	11 1/2"	8	3/4" UNC	1/2"	2-6-6
10"	14 1/2"	12	7/8" UNC	3/4"	4-8-8
12"	17"	12	7/8" UNC	3/4"	4-8-8
14"	18 1/2"	12	1" UNC	7/8"	4-8-8
16"	21 1/2"	16	1" UNC	1"	6-10-10
18"	22 1/2"	16	1 1/8" UNC	1"	6-10-10
20"	25"	20	1 1/8" UNC	1"	8-12-12
24"	29 1/2"	20	1 1/4" UNC	1"	8-12-12



APPENDIX – ACTUATOR SELECTION DATA

DN	Thrust (N)	Torque (N*M)	# of Turns	Stem Size
50	2800	24	15	Tr20*4 LH
65	3300	32	18	Tr20*4 LH
80	3800	35	23	Tr20*4 LH
100	4430	42	28	Tr20*4 LH
125	5321	59	28	Tr22*5 LH
150	7730	78	33	Tr22*5 LH
200	13000	108	37	Tr28*6 LH
250	18800	180	45	Tr28*6 LH
300	27100	219	52	Tr28*6 LH
350	29000	272	60	Tr32*6 LH
400	31000	345	69	Tr32*6 LH
450	36500	488	66	Tr35*6 LH
500	38900	578	73	Tr40*7 LH
600	43700	735	88	Tr40*7 LH

Note: Thrust and Torque data are reference for normal application, for specific conditions, please contact us for further support.



V-PORT SEGMENT BALL VALVE (WAFER)

Description

The SUYAN VQF series v-port segment ball valve is primarily designed for flow control, and it can also be used for shut-off operation. The notched port on the segment ball contributes to strong shear stress to cut through media with fibers and particles. Consequently, this v-port segment valve is a good general control valve for most pulp and paper process applications, or similar flow contains fibers and particles.



V-PORT SEGMENT BALL VALVE (WAFER)



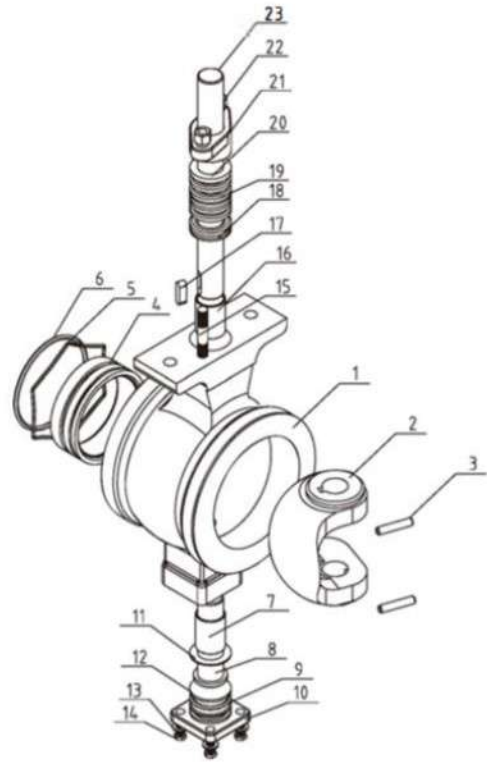
SUYAN VALVE

APPLICATION

Pulp and Paper/Waste Water Treatment/ Food and Beverage/Chemical Plants/ Power Plants/ Steel Industry/Etc.

STANDARD PART LIST

NO.	Part name	WCB	CF8	CF8M
1.	Body	WCB	CF8	CF8M
2.	V-port Segment	CF8+HCr	CF8+HCr	CF8M+HCr
3.	Pin	304	304	316
4.	Seat	304+STL	304+STL	316+STL
5.	Spring		316L	
6.	O-ring		VITON	
7.	Bearing	304+PTFE	304+PTFE	316+PTFE
8.	Lower Stem	304	304	316
9.	O-ring		Viton	
10.	Packing Gland	WCB	CF8	CF8M
11/12.	Gasket		PTFE	
13.	Washer	Q235	304	316
14/15.	Bolt	25	304	304
16.	Bearing	304+PTFE	304+PTFE	316+PTFE
17.	Key	304	304	316
18/19/20.	Packing		PTFE or Graphite	
21.	Packing Gland	WCB	CF8	CF8M
22.	Nut	Q235	304	304
23.	Upper Stem	304	304	316



BODY

Single-piece body prevents leaks caused by separate flanges or locking rings. V-port Segment Ball: Specially designed V-notch ball provides strong cutting stress and tight sealing. Well ground notched ball surface ensures small operating torque and tight seal, especially for metal seated segment valve.

V-PORT SEGMENT BALL VALVE (WAFER)



SUYAN VALVE

SEAT

Special seat design eliminates cavity between seat and valve body. This, consequently, prevents media from jamming between seat and body, ensure reliable sealing.

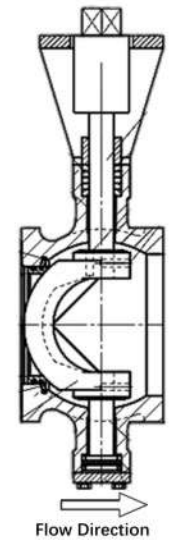
Seal Surface

Nitriding/Tungsten Carbide/Satellite Alloy/Nickle Base Alloy plating are available for abrasive media.

Stem

Stem is finely grounded to match actuator excellently, which prevents rocking motion and potential failure of the v-port segmented valve.

Close-fit spline or pin-key are available for stem-segment ball connection to provide reliable transmission without motion lost or dead band.



Flow Direction



Seat Detail

TECHNICAL SPECIFICATION

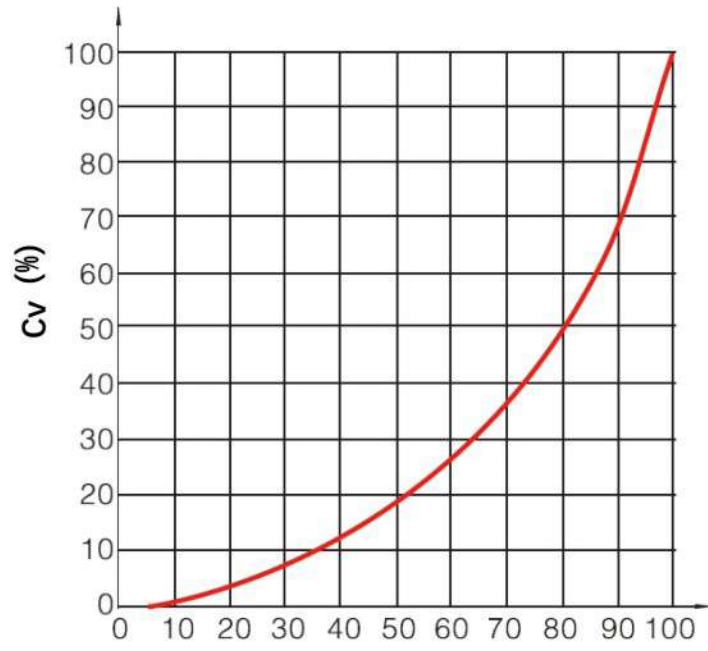
- Size Range: 1" ~ 10" (DN25 ~ DN250)
- Pressure Rate: DIN PN10, 16, 25; ANSI 150
- Body Material: WCB, CF8, CF8M, CF3M, etc.
- Face to Face: SUYAN Standard
- Temp. Range: -29°C ~ 220°C
- Ball/Seat:
 - Metal Seat Only
 - CF8+HCr/304+STL, CF8M+HCr/316+STL, CF3+HCr/304L+STL, etc.
 - Nitriding/Tungsten Carbide/Satellite Alloy/Nickle Base Alloy plating are available for abrasive media.
- Seal Tightness:
 - Metal Seat
 - Class V (standard), Class VI (with Tungsten Carbide coated trim)
- Valve Trim Rotation
- Clockwise to close
- Flow Characteristic
- Equal Percentage
- End Connection
- Wafer Type

V-PORT SEGMENT BALL VALVE (WAFER)



SUYAN VALVE

FLOW CHARACTERISTIC



SIZE	CV
DN 25	36
DN32	56
DN40	94
DN50	152
DN65	262
DN80	358
DN100	540
DN125	906
DN150	1424
DN200	2176
DN250	3532

*The rated Cv value is for reference only.

VALVE TORQUE

PN10/16, ANSI150LB tested under 10 bar(differential pressure)

SIZE	DN25	DN32	DN40	DN50	DN65	DN80	DN100	DN125	DN150	DN200	DN250
Torq.NM	20	25	30	35	50	60	80	110	170	240	430

PN 25, tested under 20 bar (differential pressure)

SIZE	DN25	DN32	DN40	DN50	DN65	DN80	DN100	DN125	DN150	DN200	DN250
Torq.NM	30	36	40	42	62	95	140	220	360	590	1100

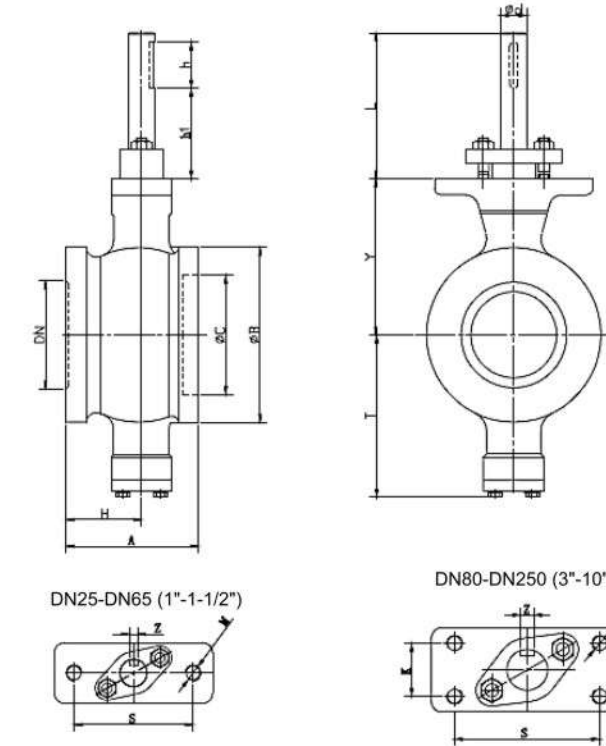
*Safety Factor(1.3)is included.

V-PORT SEGMENT BALL VALVE (WAFER)



SUYAN VALVE

5. Dimension



DIN PN10/16/25, ANSI150

DN	A	B	C	T	Y	L	d	h	S	K	M	Z	Weight(kg)	
													PN10/16	PN25
25	50	68	38	81	73	75	16	35	75	/	2-M10	5	2.6	2.9
32	60	76	45	86	78	75	16	35	75	/	2-M10	5	3	3.3
40	60	84	50	90	80	75	16	35	75	/	2-M10	5	3.5	4
50	75	100	62	93	90	75	16	35	75	/	2-M10	5	4.5	5
65	100	118	73	108	105	75	16	35	75	/	2-M10	5	6	7
80	100	132	90	123	118	75	20	35	90	8	4-M10	6	8	9
100	115	158	115	138	130	75	20	35	90	28	4-M10	6	12	13
125	129	184	134	148	145	80	25	40	90	28	4-M10	8	19	20
150	160	216	164	170	170	94	30	50	110	40	4-M12	8	30	33
200	200	268	206	200	201	94	30	50	110	40	4-M12	8	47	51
250	240	326	260	240	237	98	40	60	135	40	4-M16	12	79	87



ACTUATOR OPTIONS

Manual	AUTOMATIC
Handle Bar (DN25-DN100 Only)	Electric
Worm Gear	Pneumatic (single & double-acting)

ACCESSORIES

Actuator Manual	Positioner
Limit Switches	Solenoid Valve
Air Filter	ISO 5211 Mounting Bracket

*Note: for more options, please contact us for availability.



Handle bar



Worm Gear



Pneumatic (ZS)



Pneumatic (AT)



Electric



V-PORT SEGMENT BALL VALVE (FLANGE)

OVERVIEW

The SUYAN VQF series v-port segment ball valve is primarily designed for flow control, and it can also be used for shut-off operation. The notched port on the segment ball contributes to strong shear stress to cut through media with fibers and particles. Consequently, this v-port segment valve is a good general control valve for most pulp and paper process applications, or similar flow contains fibers and particles.



V-PORT SEGMENT BALL VALVE (FLANGE)



SUYAN VALVE

BODY

Single-piece body prevents leaks caused by separate flanges or locking rings. V-port Segment Ball: Specially designed V-notch ball provides strong cutting stress and tight sealing. Well ground notched ball surface ensures small operating torque and tight seal, especially for metal seated segment valve.

SEAT

Special seat design eliminates cavity between seat and valve body. This, consequently, prevents media from jamming between seat and body, ensure reliable sealing.

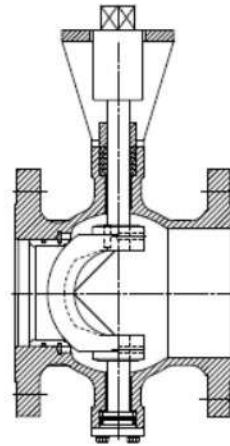
Seal Surface

Nitriding/Tungsten Carbide/Satellite Alloy/Nickle Base Alloy plating are available for abrasive media.

STEM

Stem is finely ground to match actuator excellently, which prevents rocking motion and potential failure of the v-port segmented valve.

Close-fit spline or pin-key are available for stem-segment ball connection to provide reliable transmission without motion lost or dead band.



Flow Direction

TECHNICAL SPECIFICATION

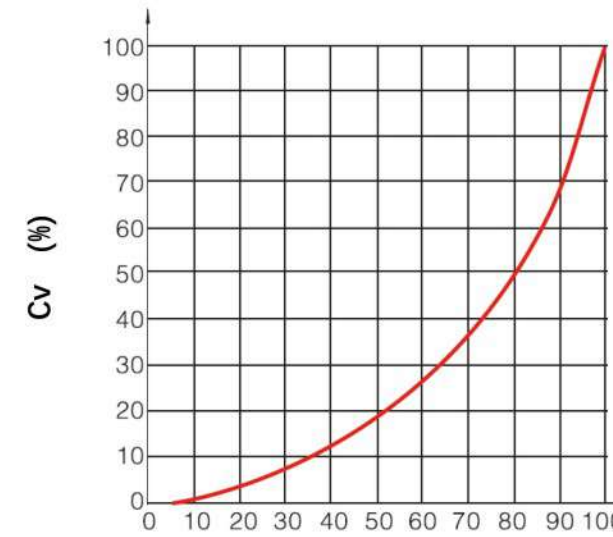
- **Size Range:** 1" ~20" (DN25~DN500)
- **Pressure Rate:** DIN PN10, 16, 25, 40,63; ANSI150,300,600
- **Body Material:** WCB, CF8, CF8M, CF3M, etc.
- **Ball/Seat:**
- **Metal Seat**
CF8+HCr/304+STL, CF8M+HCr/316+STL, CF3+HCr/304L+STL, etc.
Nitriding/Tungsten Carbide/Satellite Alloy/Nickle Base Alloy plating are available for abrasive media.
- **Soft Seat**
Devlon/PEEK/PCTFE are available
- **End Connection**
Flange Type
- **Face to Face:** ISA S75.04, IEC/DIN 534-3-2
- **Temp. Range:** -29°C ~ 240°C with Soft Seat
-29°C ~ 350°C with Metal Seat
- **Seal Tightness:**
- **Metal Seat**
Class V (standard), Class VI (with Tungsten Carbide coated trim)
- **Soft Seat**
Class VI
- **Valve Trim Rotation**
Clockwise to close
- **Flow Characteristic**
Equal Percentage

V-PORT SEGMENT BALL VALVE (FLANGE)



SUYAN VALVE

FLOW CHARACTERISTIC



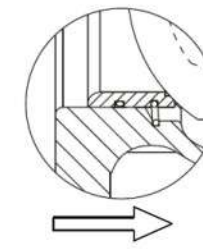
*The rated Cv value is for reference only.

Size	CV
DN 25	36
DN32	56
DN40	94
DN50	152
DN65	262
DN80	358
DN100	540
DN125	906
DN150	1424
DN200	2176
DN250	3532

Size	CV
Dn300	5732
DN350	8245
DN400	10651
DN450	12878
DN500	16343

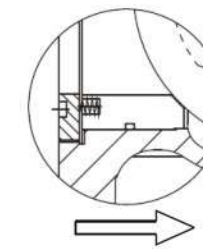
SEAT OPTIONS

Metal Seat A



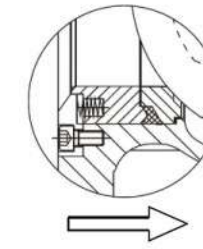
Flow Direction

Metal Seat B



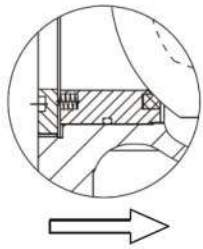
Flow Direction

High Temp Metal Seat C.



Flow Direction

Soft Seat D



Flow Direction

METAL SEAT A/ METAL SEAT B

Seat	304/316+STL	
Spring	17-7PH/316L	
O-ring	Viton	High Temp. Viton
Packing	PTFE	Graphite
Temp. Range	-29~150°C	-29~220°C

HIGHTEMP METAL SEAT C

Seat	304/316+STL	
Spring	17-7PH/316L	
O-ring	Graphite	
Packing	Graphite	
Temp. Range	-29~350°C	

SOFT SEAT D

Seat	DEVLON	PCTFE	PEEK	
Spring	17-7PH/316L			
O-ring	Viton			
Packing	PTFE		Graphite	
Temp. Range	-29~120°C	-29~120°C	-29~150°C	-29~240°C

V-PORT SEGMENT BALL VALVE (FLANGE)



SUYAN VALVE

VALVE TORQUE (1.3 SAFETY FACTOR)

Size	PN16 10 Bar Pressure Metal Seat	PN16 10 Bar Pressure Soft Seat	PN25 20 Bar Pressure Metal/Soft Seat	PN40 30 Bar Pressure Metal/Soft Seat	PN63 50 Bar Pressure Metal/Soft Seat
DN 25	20	20	30	70	150
DN32	25	25	36	90	230
DN40	30	30	40	140	270
DN50	35	35	42	150	520
DN65	50	50	62	300	640
DN80	60	80	95	300	640
DN100	80	120	140	420	900
DN125	110	180	220	600	1600
DN150	170	300	360	950	1600
DN200	240	500	590	1500	2700
DN250	430	900	1100	2300	4700
DN300	600	1400	1500	3500	7000
DN350	1200	2000	2500	6200	9300
DN400	1800	3200	4000	7200	13000
DN450	3000	4500	5600	11000	17300
DN500	4600	6500	8200	12500	22000

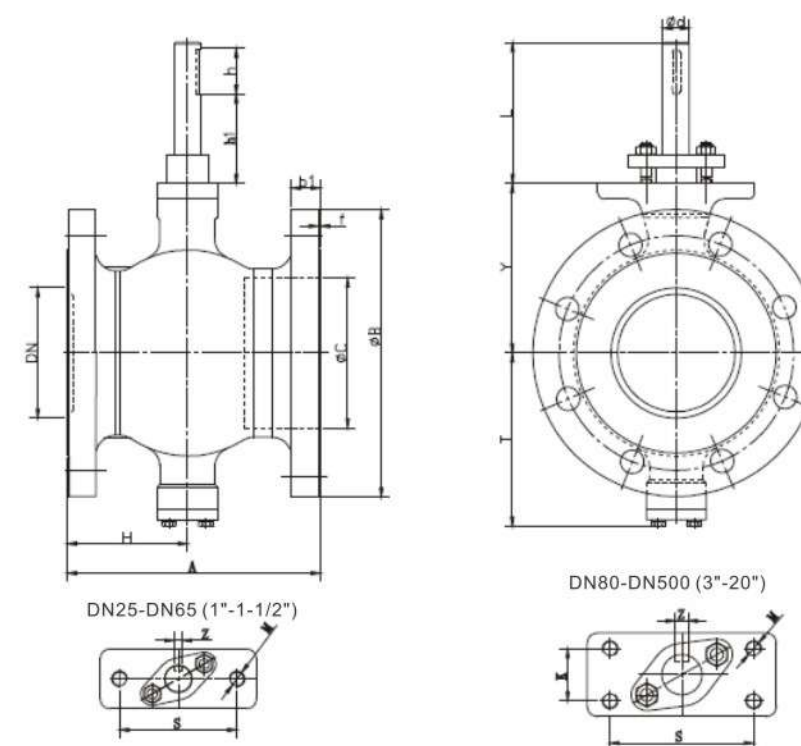
Size	150LB 10 Bar Pressure Metal Seat	150LB 10 Bar Pressure Soft Seat	150LB 20 Bar Pressure Metal/Soft Seat	300LB 35 Bar Pressure Metal/Soft Sea	600LB 70 Bar Pressure Metal/Soft Sea
DN 25	20	20	30	85	210
DN32	25	25	36	105	320
DN40	30	30	40	180	380
DN50	35	35	42	190	730
DN65	50	50	62	380	930
DN80	60	80	95	380	1000
DN100	80	120	140	530	1000
DN125	110	180	220	720	2200
DN150	170	300	360	1180	2500
DN200	240	500	590	1750	3800
DN250	430	900	1100	2800	6500
DN300	600	1400	1500	4000	10000
DN350	1200	2000	2500	7800	13100
DN400	1800	3200	4000	9000	18000
DN450	3000	4500	5600	13700	24000
DN500	4600	6500	8200	15500	31000

V-PORT SEGMENT BALL VALVE (FLANGE)



SUYAN VALVE

Dimension



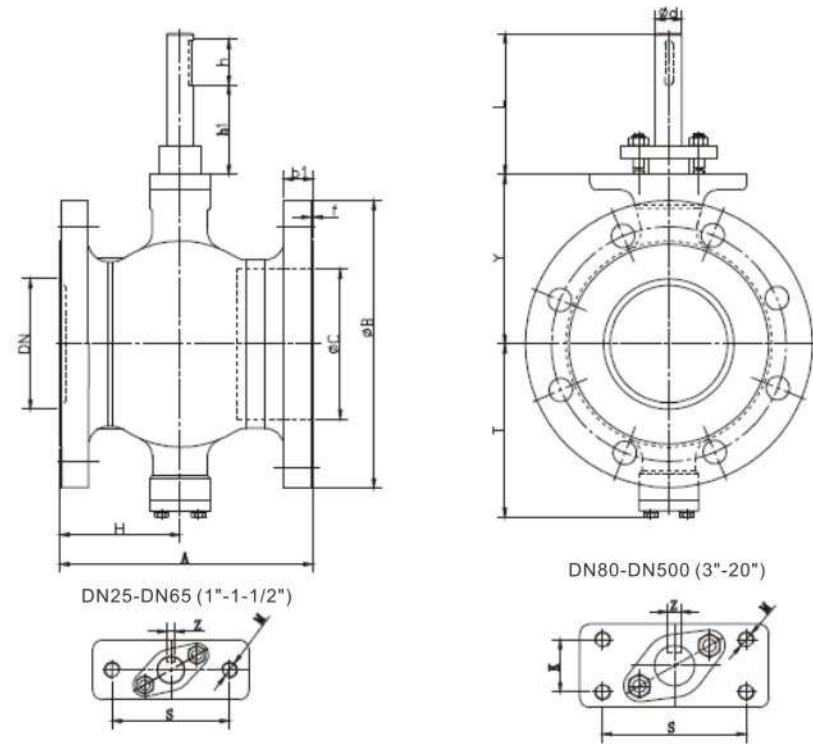
PN16

DN	A	B	b1	f	C	T	Y	L	d	h	S	K	M	Z	Weight (kg)
25	102	115	16	2	38	81	73	75	16	35	75	/	2-M10	5	4.9
32	102	140	18	2	45	86	78	75	16	35	75	/	2-M10	5	6.6
40	114	150	18	2	50	90	80	75	16	35	75	/	2-M10	5	7.6
50	124	165	20	2	62	93	90	75	16	35	75	/	2-M10	5	9.5
65	145	185	20	2	73	108	105	75	16	35	75	/	2-M10	5	12.4
80	165	200	20	2	90	123	118	75	20	35	90	28	4-M10	6	15.5
100	194	220	22	2	115	138	130	75	20	35	90	28	4-M10	6	20.6
125	194	250	22	2	134	148	145	80	25	40	90	28	4-M10	8	28.6
150	229	285	24	2	164	170	170	94	30	50	110	40	4-M12	8	42.5
200	243	340	24	2	206	200	201	94	30	50	110	40	4-M12	8	59.5
250	297	405	26	2	260	240	237	98	40	60	135	40	4-M16	12	99
300	338	460	28	2	316	286	282	98	40	60	135	40	4-M16	12	148
350	400	520	30	2	372	330	337	125	50	60	140	64	4-M16	14	216
400	400	580	32	2	420	367	372	172	60	80	170	80	4-M20	18	285
450	520	640	40	2	470	422	432	172	70	90	190	90	4-M24	20	370
500	600	715	44	2	516	490	498	180	80	100	190	90	4-M24	22	480

V-PORT SEGMENT BALL VALVE (FLANGE)



SUYAN VALVE



DN25-DN65 (1"-1-1/2")

DN80-DN500 (3"-20")

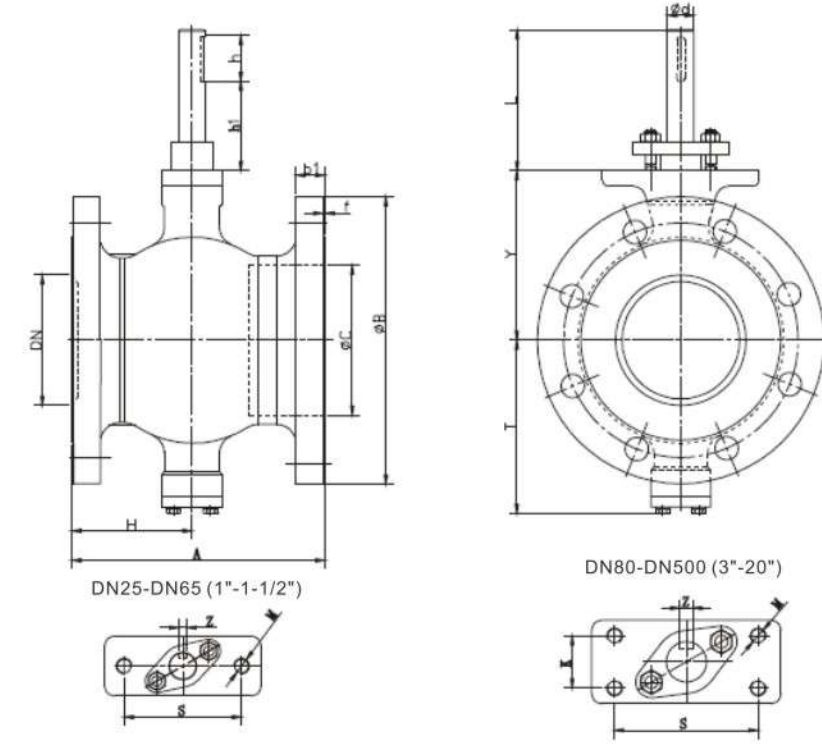
PN25

DN	A	B	b1	f	C	T	Y	L	d	h	S	K	M	Z	Weight (kg)
25	102	115	16	2	40	88	86	75	20	35	90	28	4-M10	6	5.4
32	102	140	18	2	48	90	90	75	20	35	90	28	4-M10	6	7.3
40	114	150	18	2	56	95	93	80	25	40	90	28	4-M10	8	8.4
50	124	165	20	2	65	98	98	80	25	40	90	28	4-M10	8	10.5
65	145	185	22	2	81	130	125	95	30	50	110	40	4-M12	8	13.2
80	165	200	24	2	95	128	128	95	30	50	110	40	4-M12	8	17.7
100	194	235	24	2	115	142	142	95	30	50	110	40	4-M12	8	24.7
125	194	270	26	2	138	175	170	100	40	60	135	40	4-M16	12	34.5
150	229	300	28	2	170	215	215	125	50	60	140	64	4-M16	14	50.7
200	243	360	30	2	208	228	228	125	50	60	140	64	4-M16	14	72.7
250	297	425	32	2	265	260	260	150	60	80	170	80	4-M20	18	116
300	338	485	34	2	320	310	310	150	60	80	170	80	4-M20	18	169

V-PORT SEGMENT BALL VALVE (FLANGE)



SUYAN VALVE

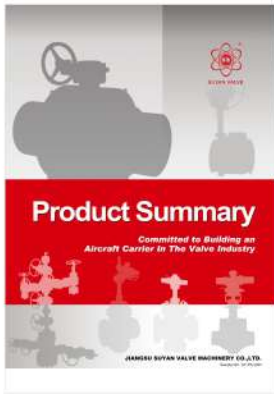


DN25-DN65 (1"-1-1/2")

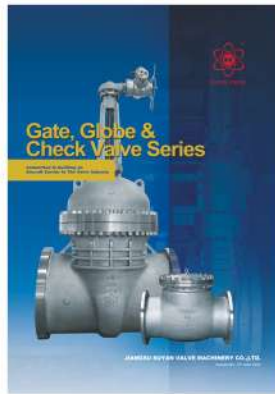
DN80-DN500 (3"-20")

ANSI 150

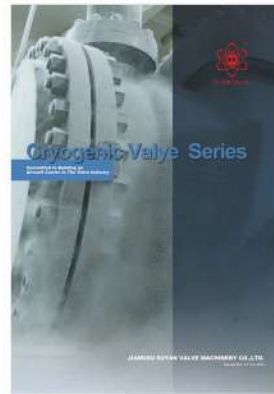
DN	A	B	b1	f	C	T	Y	L	d	h	S	K	M	Z	Weight (kg)
1"	102	108	14.5	2	38	81	73	75	16	35	75	/	2-M10	5	5.4
1 1/4"	102	115	14.5	2	45	86	78	75	16	35	75	/	2-M10	5	7.3
1 1/2"	114	127	14.5	2	50	90	80	75	16	35	75	/	2-M10	5	8.4
2"	124	152	16.3	2	62	93	90	75	16	35	75	/	2-M10	5	10.5
2 1/2"	145	180	18	2	73	108	105	75	16	35	75	/	2-M10	5	13.2
3"	165	191	19.5	2	90	123	118	75	20	35	90	28	4-M10	6	17.7
4"	194	230	24	2	115	138	130	75	20	35	90	28	4-M10	6	24.7
5"	194	255	24.3	2	134	148	145	80	25	40	90	28	4-M10	8	34.5
6"	229	280	26	2	164	170	170	94	30	50	110	40	4-M12	8	50.7
8"	243	340	29	2	206	200	201	94	30	50	110	40	4-M12	8	72.7
10"	297	405	30.6	2	260	240	237	98	40	60	135	40	4-M16	12	116
12"	338	485	32.2	2	316	286	282	98	40	60	135	40	4-M16	12	169
14"	400	535	35.4	2	372	330	337	125	50	60	140	64	4-M16	14	249
16"	400	595	37	2	420	367	372	172	60	80	170	80	4-M20	18	326
18"	520	635	40.1	2	470	422	432	172	70	90	190	90	4-M24	20	410
20"	600	700	44	2	516	490	498	180	80	100	190	90	4-M24	22	510



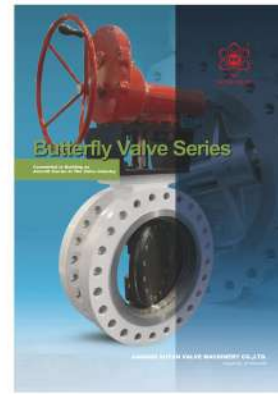
Sample NO: SY-PS-2023



Sample NO: SY-GGC-2023



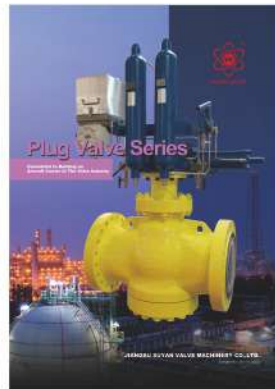
Sample NO: SY-CV-2023



Sample NO: SY-BUV-2023



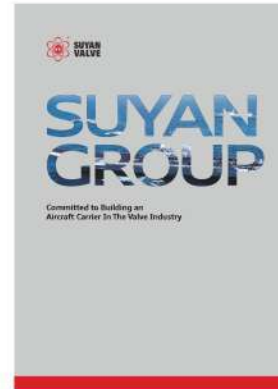
Sample NO: SY-BAV-2023



Sample NO: SY-PV-2023



Sample NO: SY-WE-2023



Sample NO: SY-GIS-2023



Sample NO: SY-KGV-2024

JIANGSU SUYAN VALVE MACHINERY CO.,LTD.

ADD: No. 28, Century Avenue, North District, Binhai County Industrial Park,
Yancheng City, Jiangsu Province

TEL: 0515-84194555 FAX: 0515-84199808 E-mail: hai977@126.com

www.suyangroup.com